

ASSEMBLY INSTRUCTIONS

Harlow

CONTENTS

Main aluminium parts	P1
End sections	P2
Adding the long rails	P3
End plates	P4
Centre legs	P5
Squaring & fixing	P6
Wall & floor problems	P7
Shelving	P8
Watering	P9
Fitting liner	P10
Fitting handles	P11
Fitting glass	P12
Fitting corner trim	P13
Troubleshooting	P14
Notes on using the frame	P15

Please keep all packaging until installation is complete



Video instructions:

Helpful video clips are available at:-

www.garden-products.co.uk/instructions

Can we improve?

We hope that you find our instructions clear and concise. If you have any suggestions for improvements email:

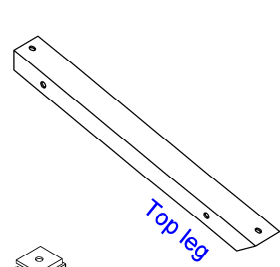
instructionfeedback@garden-products.co.uk

Access Garden Products
Crick
NORTHAMPTON
NN6 7XS

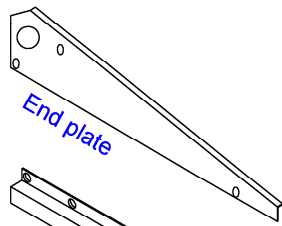
Tel: 01788 822301
Fax: 01788 824256
sales@garden-products.co.uk
www.garden-products.co.uk

Assembly instructions for model: Harlow AL2 (1.00m/3'4") BL2 (1.51m/5'0")

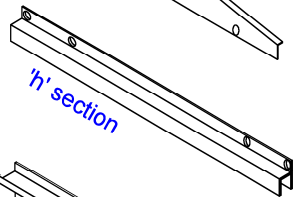
Date: Dec 2024 Rev 12 File:L2



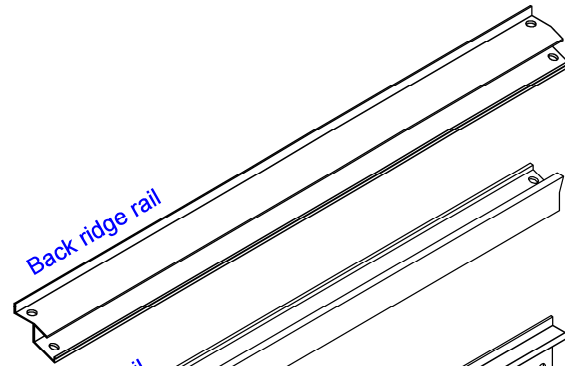
Top leg



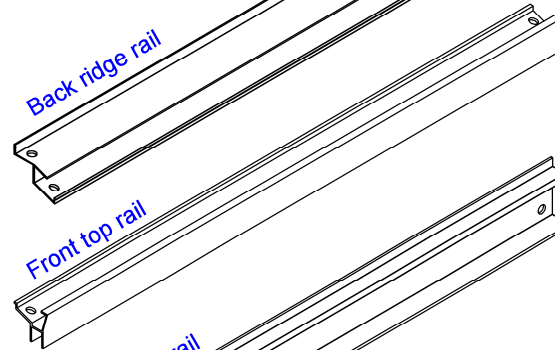
End plate



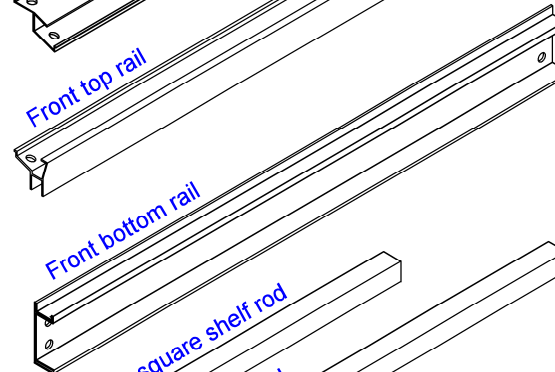
'h' section



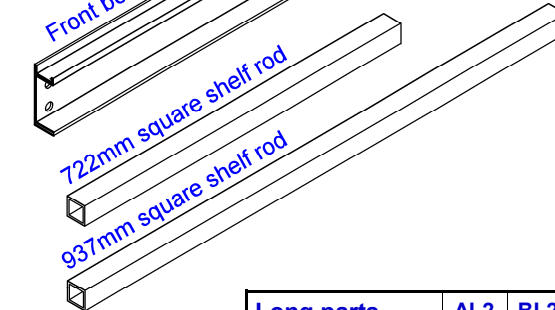
Back ridge rail



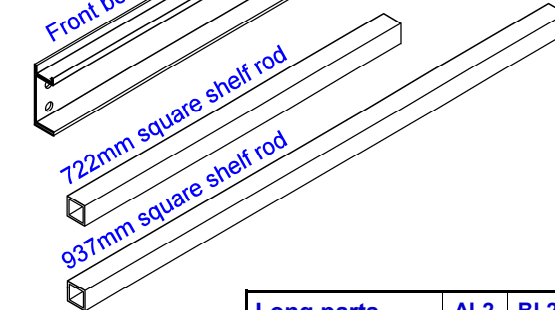
Front top rail



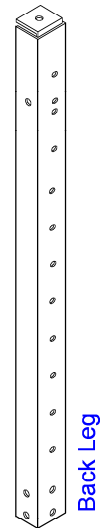
Front bottom rail



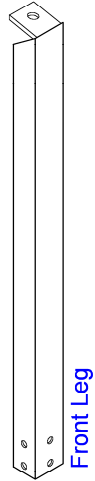
722mm square shelf rod



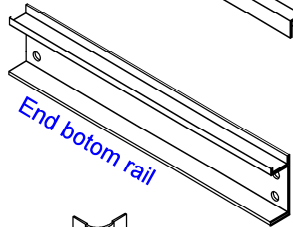
937mm square shelf rod



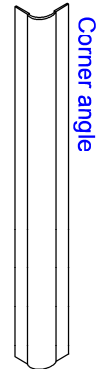
Back Leg



Front Leg



End bottom rail



Corner angle



FIT THE WASHER UNDER THE HEAD OF ALL HEX HEAD BOLTS UNLESS OTHERWISE INSTRUCTED.

Leg parts	AL2	BL2
Back leg	2	3
Front leg	2	3
Top leg	2	3

End parts	AL2	BL2
End plate	2	2
'h' section	2	2
Bottom rail	2	2
Corner Angle	2	2

Long parts	AL2	BL2
Ridge rail	1	1
Top rail	1	1
Bottom rail	1	1
722mm shelf rod	0	14
937mm shelf rod	6	0

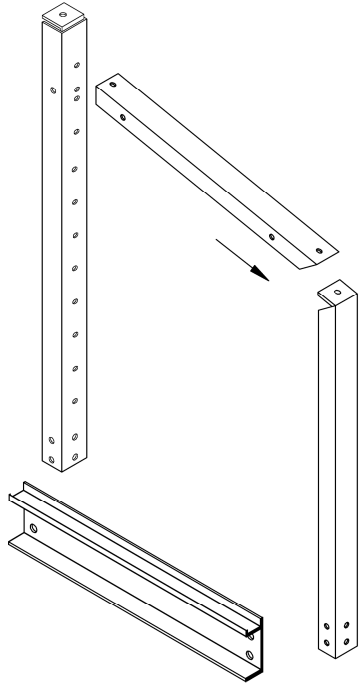
Additional Items		AL2	BL2
Handle 475mm		3	3
Handle 725mm		3	3
Grey watering pipes		2	3
Watering pack	I-SP-1	1	1
Screw pack	SCREW-H4	1	1
Wall fixing pack	FR-WF6	1	1
Front anchorage pack	FR-AK	1	1
Wide shelf pack	S-W2	0	1
Standard shelf pack	S-N2	1	1
Trim pack	TRIM-4	1	1
Black channel liner	W65-5M	1	1
White channel liner	W66-2M	1	1
Allen Key	SCREW-H4	1	1



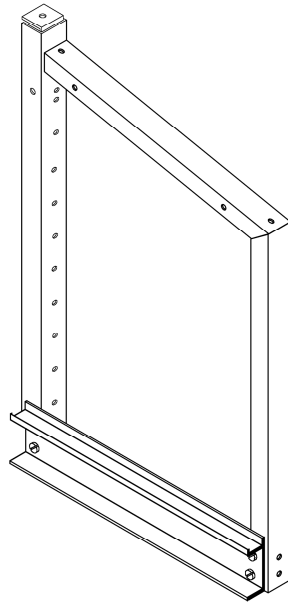
Top leg rests against the **FLAT FACE** of back leg—it is not bolted to the back leg



Back leg the wrong way round



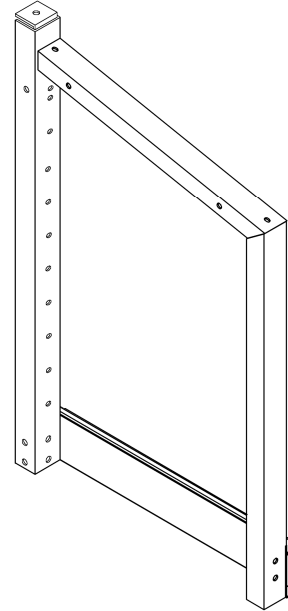
EXPLODED VIEW



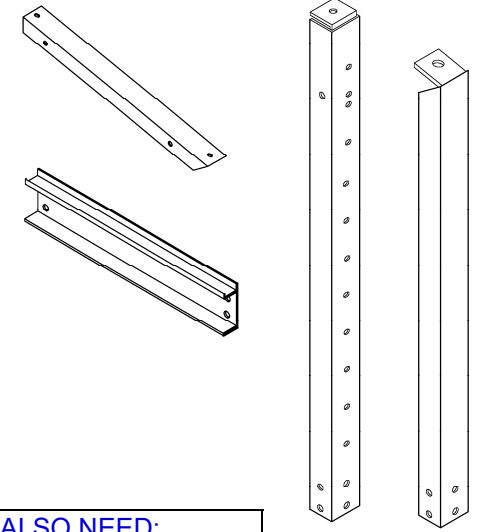
FINISHED LEFT HAND END



Slide the tongue of the front leg into the groove on the top leg.



FINISHED RIGHT HAND END



YOU ALSO NEED:

10mm BOLTS	4
METAL WASHERS	4
NUTS	4
Located in pack: SCREW-H4	

PARTS NEEDED FOR EACH END

- 1 Make up the LEFT hand end as shown.
- 2 Make up the RIGHT hand end as shown

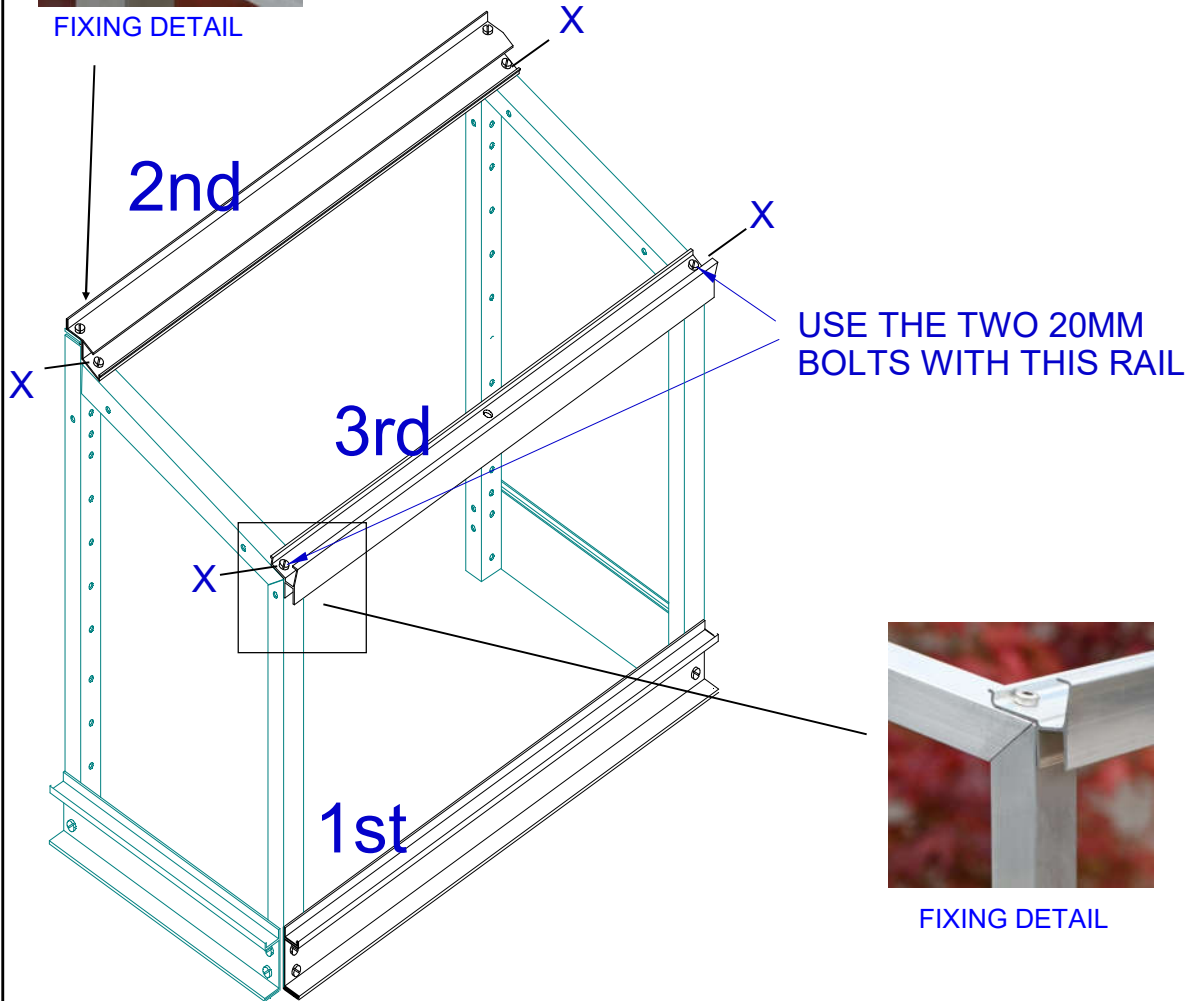
DO NOT FULLY TIGHTEN BOLTS AT THIS STAGE

END SECTIONS



FIXING DETAIL

DO NOT FIT A WASHER AT POINTS MARKED X
ON POWDERCOATED UNITS TAKE CARE NOT TO OVERTIGHTEN THESE BOLTS OTHERWISE THE COATING WILL BE DAMAGED



FIXING DETAIL

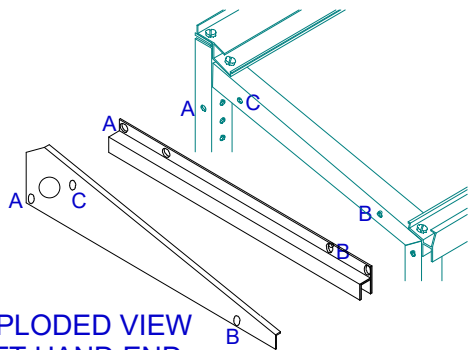
PARTS NEEDED



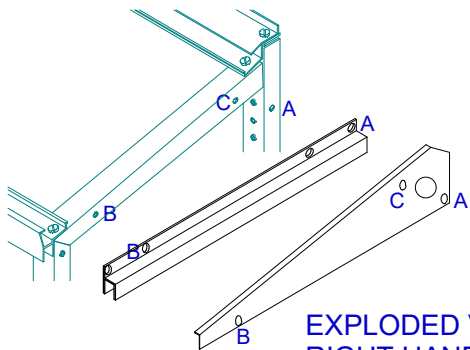
YOU ALSO NEED:	
10mm BOLTS	8
20mm BOLTS	2
METAL WASHERS	6
NUTS	10
Located in pack: SCREW-H4	

1 Bolt on the rails in the order shown.

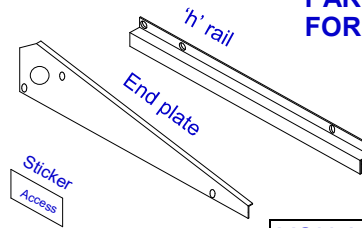
DO NOT FULLY TIGHTEN BOLTS AT THIS STAGE



EXPLODED VIEW
LEFT HAND END



EXPLODED VIEW
RIGHT HAND END

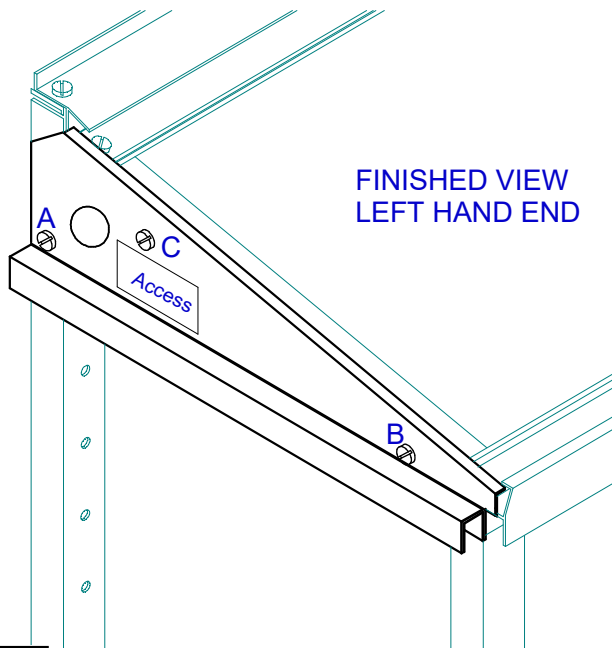


**PARTS NEEDED
FOR EACH END**

YOU ALSO NEED:	
10mm BOLTS	3
METAL WASHERS	3
NUTS	3
Located in pack: SCREW-H4	



THE END PLATE
FITS UNDER THE
RIDGE RAIL LIP



FINISHED VIEW
LEFT HAND END



THE END PLATE
FITS UNDER THE
FRONT RAIL LIP

- 1 **Remove any plastic protective film** from the end plates and put 'Access' sticker on.
 - 2 Make up the LEFT hand end as shown.
 - 3 Make up the RIGHT hand end as shown.
- NB** Bolt 'C' only goes through the end plate and the frame.

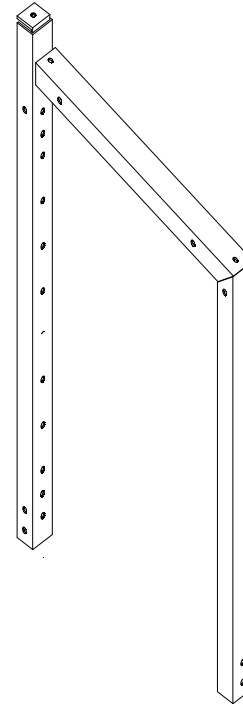
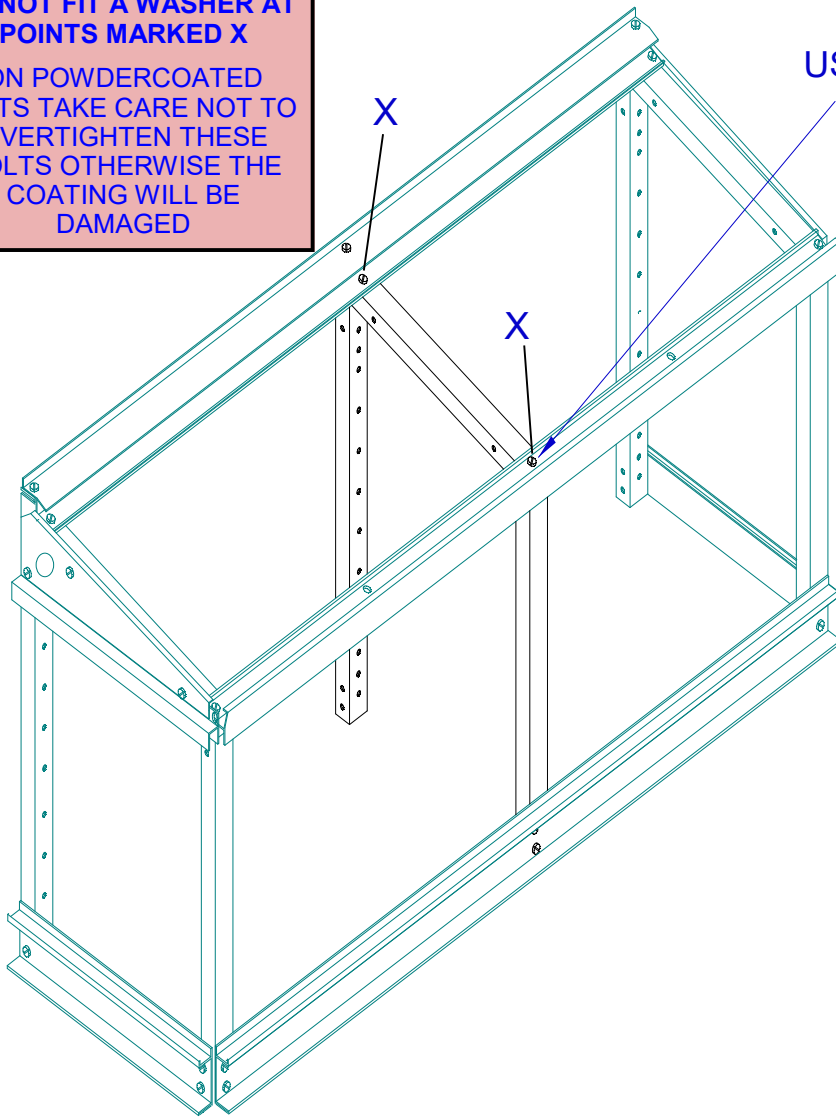
IF YOU HAVE AN
AL2 MODEL
GO TO PAGE 6

DO NOT FULLY
TIGHTEN
BOLTS AT THIS STAGE

DO NOT FIT A WASHER AT POINTS MARKED X

ON POWDERCOATED UNITS TAKE CARE NOT TO OVERTIGHTEN THESE BOLTS OTHERWISE THE COATING WILL BE DAMAGED

USE 20mm BOLT

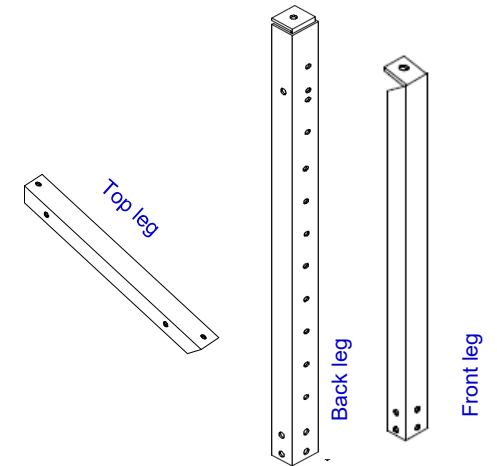


CENTRE LEGS
PRIOR TO FITTING

1

Fit legs as shown into the frame.

PARTS NEEDED



YOU ALSO NEED:

10mm BOLTS	4
20mm BOLTS	1
METAL WASHERS	3
NUTS	5
Located in pack: SCREW-H4	

**DO NOT FULLY
TIGHTEN
BOLTS AT THIS STAGE**

1

SQUARING THE FRAME

Use a set square (or the A5 frame squaring card provided) to square the unit up in the 3 places shown.

Slacken the nuts if necessary to move the framework into a square position.

F

IT IS ESSENTIAL TO GET THE FRAME SQUARE. DO NOT ALIGN TO THE WALL AS IT MAY NOT BE SQUARE .

Ensure distance 'A' is equal to distance 'B' otherwise the shelves will not fit. (It may help to assemble one shelf and fit into place.)

Once the frame is completely square tighten up all the nuts.

2

FIXING TO WALL

Two hammer fix screws are used in each 'back leg' (pack FR-WF6).

Counting from the floor the screws go in the holes marked 'F'.

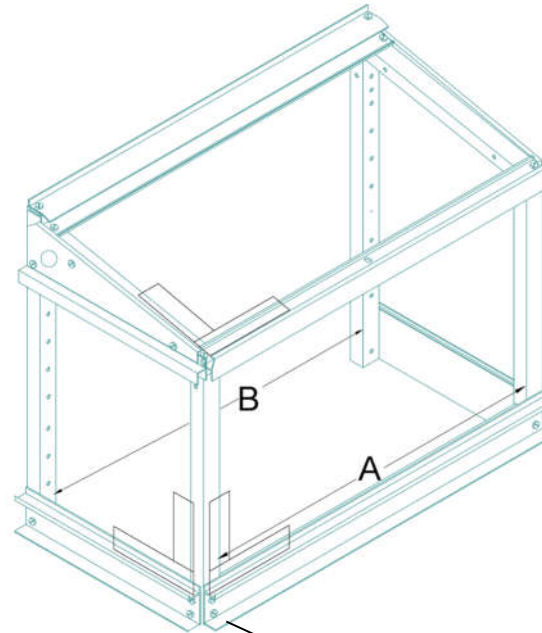
F

Holes 2 & 13

Using a 6mm masonry bit drill, mark the drill at a depth of 65mm. With the unit against the wall, drill through the holes (F) until the mark reaches the hole in the 'back leg'. Push the COMPLETE screw and rawplug through the hole in the back leg and into the wall.

Lightly hammer or screw in with a 'phillips head' screwdriver.

FULLY TIGHTEN ALL BOLTS



3

FRONT FIXING TO FLOOR

Once the unit has been fitted to the wall the front anchorage kit (pack FR-AK) can be fitted.

Fit the 'L' bracket to the front leg using a nut and bolt.

Drill through the bracket with a 6mm masonry drill bit, to a depth of 35mm. Insert the red rawplug, through the bracket and into the concrete.

Using woodscrew, screw through the 'L' bracket and into the rawplug.

Repeat for other end.

On BL2 model fit an 'L' bracket to the centre leg.

INSIDE VIEW OF FRONT LEG SHOWING FRONT FIXING

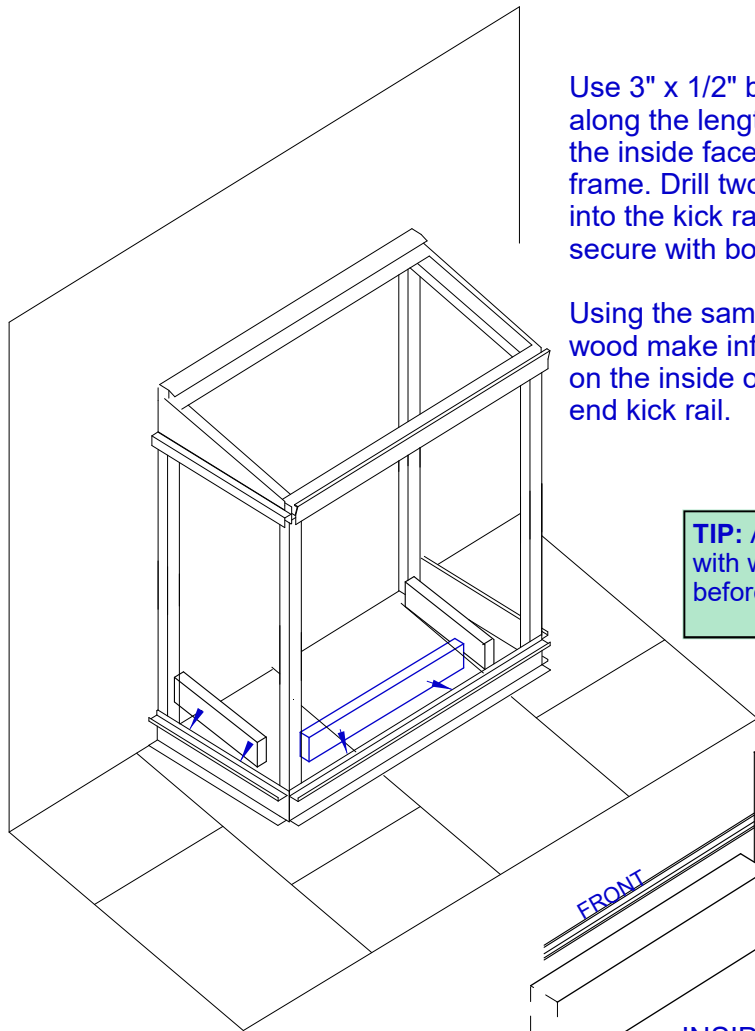


WEAR APPROPRIATE SAFETY EQUIPMENT WHEN DRILLING OR HAMMERING

TIP: If your drill is touching the framework, just mark the holes, then remove the frame to allow the holes to be drilled.

IF YOU HAVE PURCHASED A BACK FIT FIT IT AFTER SQUARING THE FRAME

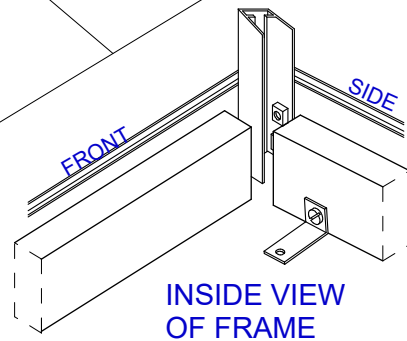
FLOOR FALLING AWAY



Use 3" x 1/2" baton along the length of the inside face of the frame. Drill two holes into the kick rail to secure with bolts or screws.

Using the same size wood make infill pieces on the inside of each end kick rail.

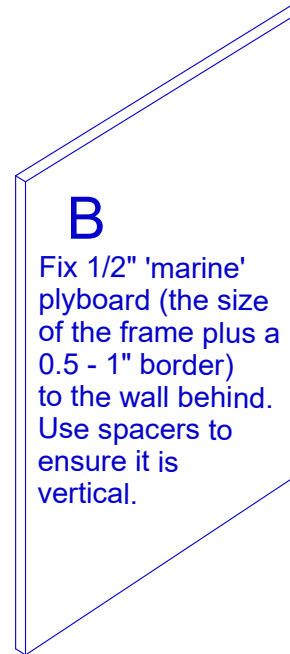
TIP: Always treat timber with wood preservative before fixing in place



Screw or bolt 'L' shaped brackets to the wood and then to the floor

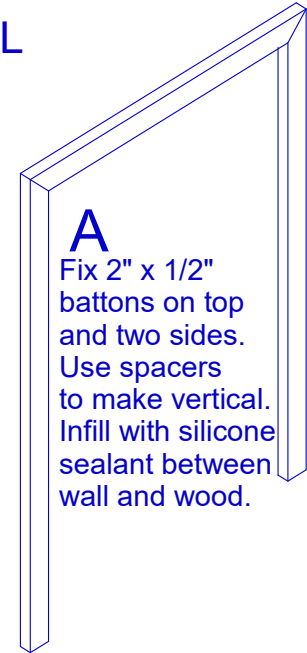
ROUGH OR SLOPING WALL

To solve problems with walls choose option A or B below.
Fit the frame to the woodwork using 1.25" wood screws. (not supplied)
Seal around the inside of the frame with silicone sealant when finished.



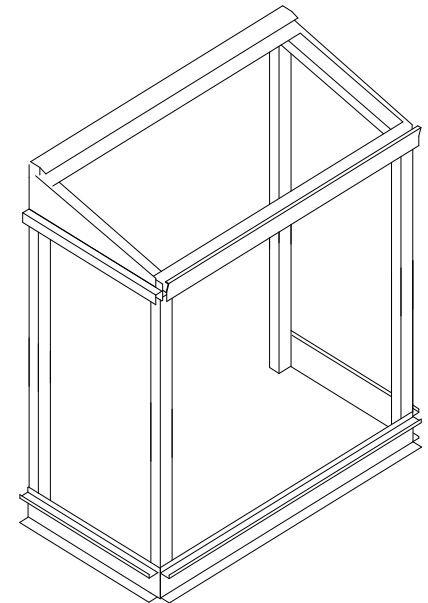
B

Fix 1/2" 'marine' plyboard (the size of the frame plus a 0.5 - 1" border) to the wall behind. Use spacers to ensure it is vertical.



A

Fix 2" x 1/2" battens on top and two sides. Use spacers to make vertical. Infill with silicone sealant between wall and wood.



The AL2 model has 2 standard full length shelves.

The BL2 model has 2 standard half length shelves + 2 wide half length shelves.

- 1 Lightly tap rawplug inserts into both ends of the tubular aluminium shelf rods with a hammer.
- 2 Screw the support brackets on to each end EXCEPT for the rod that has the support wires.
- 3 For the rod with the support wires put the spacer and the support wire onto the screw BEFORE passing through the bracket.

FITTING

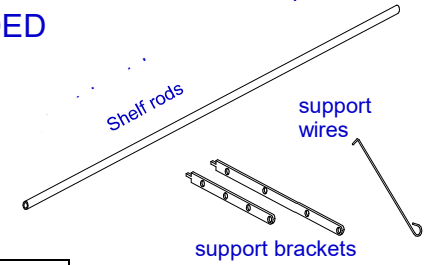
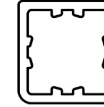


Hook support wire into top hole, then swing shelf upward into the hole. Make sure flat face of shelf rod is uppermost.



PARTS NEEDED

Square rod profile
Flat face is uppermost



YOU ALSO NEED PER SHELF ROD:

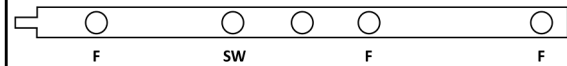
RAWLPLUG	2
WOOD SCREW	2
Located in packs: S-N2 or S-W2	

YOU ALSO NEED PER COMPLETE SHELF:

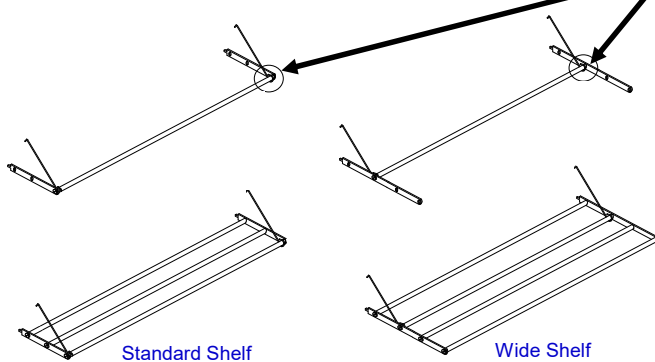
NYLON SPACER	2
Located in packs: S-N2 or S-W2	

5-hole strap (wide)

Fit the rods to the holes 'F' - the rod with support wire is marked SW. The centre hole is unused.



HALF LENGTH SHELF FITTING



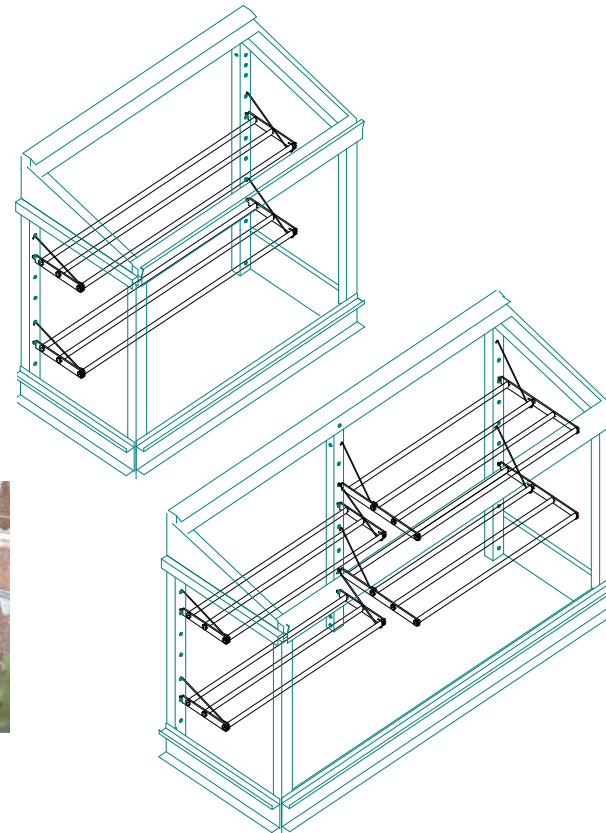
Standard Shelf

Wide Shelf

Note: A Pozidrive screwdriver will fit the screws best



Support wires can share same hole as support bracket



The large number of holes in the back leg allow the spacing of the shelves to be easily altered.

When the shelves are not needed they can either be removed or they can be unhooked from the lower fixing hole and hung flat against the back using the wires.



Bottom shelf hung flat against the back

1

Choose which end you would like the watering inlet.



Fit the washer onto the thread of the adaptor, and then fit the nipple

Push the assembly through the hole from the inside

Screw the brass elbow onto the protruding thread from the outside

Fit the black grommet (from pack SCREW-H4) into the unused irrigation hole at the opposite end of the unit

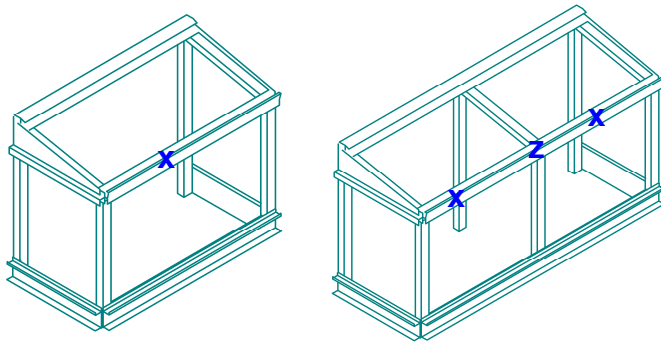
TIP: Dip the end of the pipe in water. For a better fit, twist the pipes as they are inserted.



PARTS NEEDED:		
NOZZLE ASSEMBLY	AL2	1
	BL2	2
SINGLE TEE		2
BLANKING PLUG		3
'L' BRACKET	AL2	1
	BL2	2
ENTRY FITTING: Nipple, adaptor, washer and brass elbow		1
10MM BOLTS & NUTS	AL2	1
	BL2	2
BLACK STRAPS (short)		3
BL2 (long)		1
Located in pack: I-SP-1		
6mm PIPES	AL2	2
	BL2	3

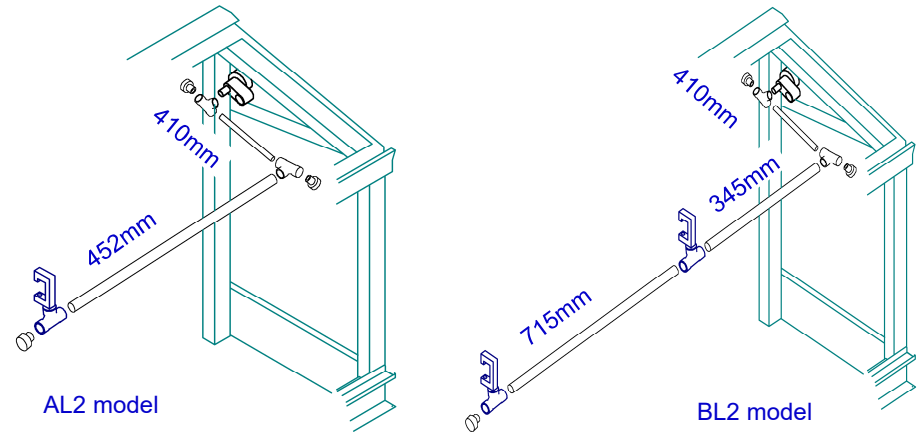
2

'L' shape brackets need to be fitted inside the frame.
x - Use a nut and bolt to fix to the hole



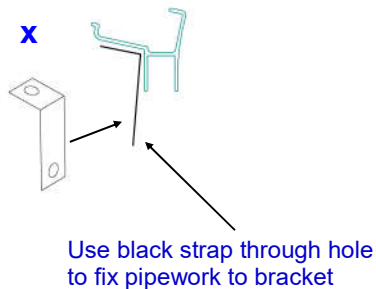
3

Fit the irrigation system as shown. The pipes push into the black fittings.



4

Once assembled use the black straps to secure the watering system to the 'L' shaped brackets and then strap the pipes to the end of the frame using the hole in the top leg. The long strap is used to secure the pipe to the top leg at position 'Z' (BL2 only).



End securing strap

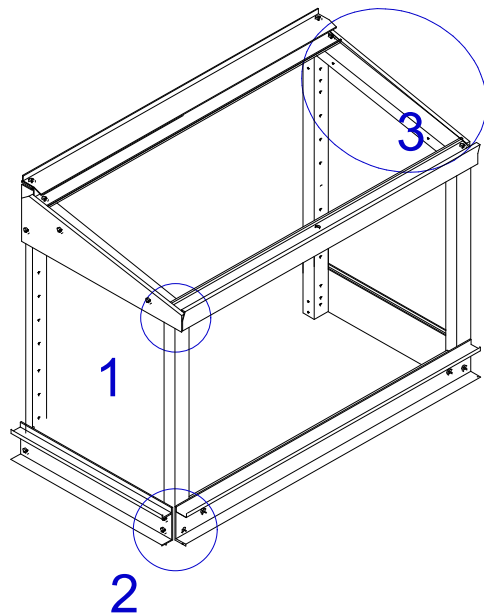


Inlet and link pipe



Nozzle strapped to 'L' bracket

FITTING THE CHANNEL LINER



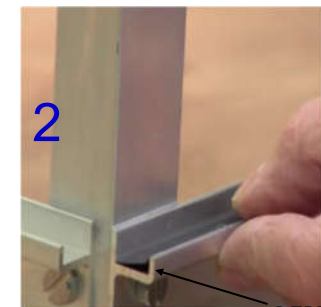
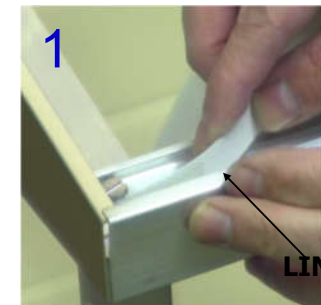
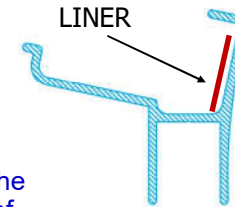
1 The white liner (W66-2M) fits on the inside vertical face of top FRONT rail only. This is a loose fit so strips of double sided tape are included to secure it until the glass is in place.

2 The black plastic liner (W65-5M) goes in the FRONT bottom rail only. Using the strips of double sided tape press liner down so that it **LIES FLAT** at the bottom of the channel - trim with a knife if necessary.

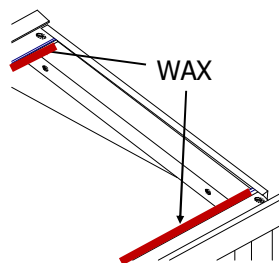
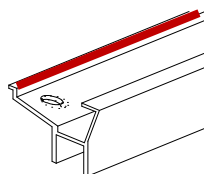
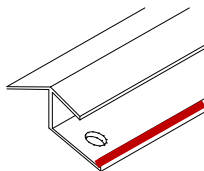
THE DOORS WILL NOT SLIDE PROPERLY IF THE LINER IS NOT FLAT

3 To make the top glass slide more easily, rub candle wax onto the glass bearers. Also wax the black and white liners.

Before sticking the tape, clean the aluminium of any oil traces to promote adhesion.



TIP: Do not use the red covered sticky pads that are for the handles



Removing the tape
 Peel the **narrower** backing tape off first, this will expose the sticky pad, allowing it to be stuck onto the liner.
Tip: Bend the backing tape back on itself to make it easier to peel the sticky pad off.
 Place pads regularly down the length of the liner.
 When ready, peel the wide backing pads off the tape and stick the liner to the aluminium.



On the next page are instructions on how to fit the handles to the glass

When fitting the handles, place the glass on a table or timber battens.

NEVER PLACE THE GLASS DIRECTLY ON CONCRETE OR SLABS

DO NOT lift the glass by the handle

If possible, leave the handles overnight in a warm place to promote the curing of the adhesive

TIP: Always grip the handle in the **CENTRE** when sliding

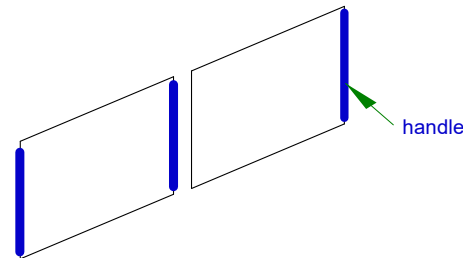
WARNING

If broken, toughened glass will fragment safely.

If the edges are knocked or chipped the glass will spontaneously fragment. This is a natural occurrence due to the toughening process. Care should be taken when moving or cleaning, not to damage the edge of the glass.

When placing the glass in the frame, ensure that the glass is securely placed in the runners before letting go of the glass.

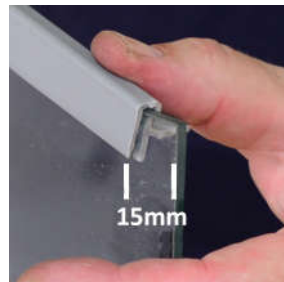
SEE PAGE 13 FOR WHICH GLASS SHEETS NEED HANDLES	'B' sheet	'C' sheet
Sheets requiring one handle	1	1
Sheets requiring two handles	1	1



HANDLES

The right hand glass sheets always have 1 handle.

The left hand glass sheets always have 2 handles.



Work on handle from side edge



Handle fitted with 15mm gap



Sheet with 2 handles



Sheet with 1 handle



1

Ideally work on a table or a workbench.

It is best the work inside to keep the pads warm and dry.



2

Mark the glass 15mm from the top edge for sheets.



3

Open the sachet and wipe the glass where the tape will stick.



4

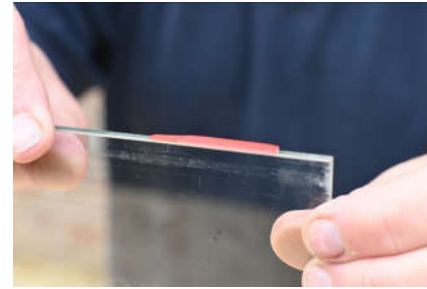
Replace the cloth in the plastic bag to prevent evaporation.



5

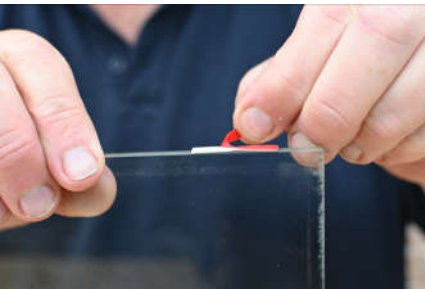
Peel the pad off the backing.

Short handles have 2 pads (top and bottom). Long handles have 3 pads (plus centre).



6

Press the pad down firmly to ensure good adhesion to the glass.



7

Peel the cover strips off all of the pads.



8

Using the pen mark as a guide, fit the handle.

Slide the two arms of the 'U' over the edge of the glass.



9

Work the handle on with your hands.



10

Use one of the glass battens to gently tap the handle down.



11

Work the handle on all the way down the glass.

Use the timber batten if necessary.



12

Use the timber to make sure the handle is flat.

Leave overnight in the warm to fully cure the adhesive

FITTING THE HANDLES

FITTING HANDLES

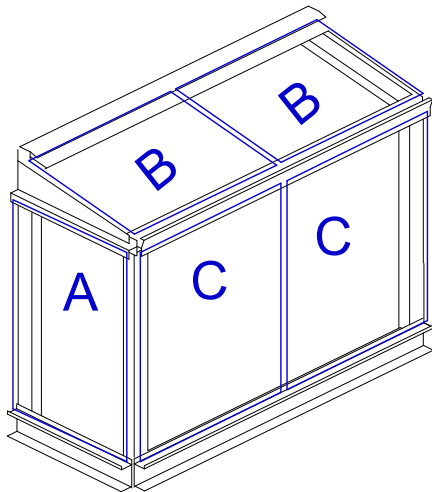
Fit the handles to the glass before fitting into the frame. Right hand panels always have a single handle on the right hand side of the sheet. Left hand panels have two handles, one on each side.

FITTING THE GLASS

To fit the glass push the sheet into the deeper top channel, then lower into the bottom channel (A). Make sure the glass is firmly in the bottom channel before letting go. When putting the sheets in the frame, put the first sheet in at the right hand end. The second sheet will fit in front of the first sheet and overlap the first panel by approx. 1" (2cm).

SLIDING THE FRONT GLASS

When closed, both panels will tuck behind the corner trims to keep them secure. Before sliding the right hand panel open, slide the left hand panel open by approx 1" to release it from behind the corner trim.



AL2 3'4" Harlow			BL2 5'0" Harlow		
A	750mm x 500mm	Qty: 2	A	750mm x 500mm	Qty: 2
B	500mm x 500mm	Qty: 2	B	750mm x 500mm	Qty: 2
C	750mm x 500mm	Qty: 2	C	750mm x 750mm	Qty: 2

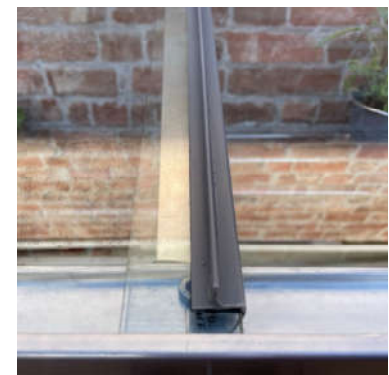
End glass (A) has no handles



A. Fitting the glass



Glass in channel with two sheets overlapping



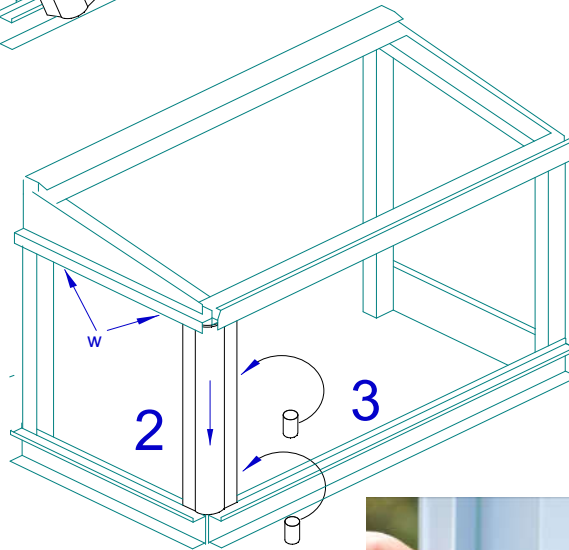
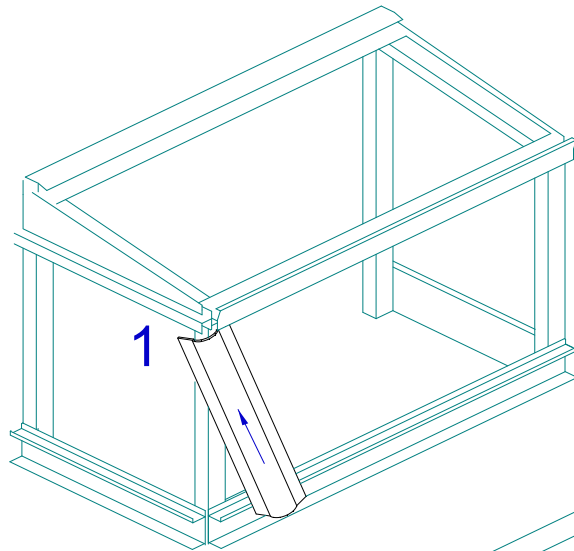
Roof glass overlapping

BLACK 'WEDGES'

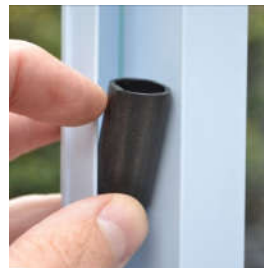
The small black thimble wedges (w) are designed to be pushed into the top channels of the end glass to stop the glass moving. Use two wedges per sheet of glass



Located in pack:SCREW-H4

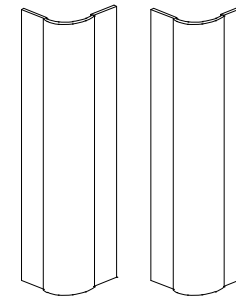


Corner trim in place



Fitting the hollow tube

Aluminium corner trims



You also need:
2 bags marked
TRIM-4



PARTS NEEDED

- 1 Take one of the corner trims and push it up into the top channel and the 'h' section.
- 2 Swing the corner trim in so that it is vertical and drop it into the channel below. At this point the trim will be loose.
- 3 Slide the front glass door out of the way. Take one of the hollow tubes contained in the pack marked 'TRIM'. From the front of the frame, push the tube between the framework and the corner trim. Slide the tube downwards as far as it will go.

Insert a second hollow tube and repeat the action, but this time push the tube up as far as it will go.

These tubes keep the corner trim firmly in place, and act as a stop for the sliding doors.
- 4 Repeat for the other corner.

CORNER TRIMS WILL NOT FIT	The most common cause of this problem is the end glass protruding over the front leg. This is normally caused because the frame work is not square against the wall. See page 6.
GLASS STICKS TOGETHER	<p>This is normally due to the handles not being put on the right side of the glass. See page 11 for details of where the handles should be fitted to the glass.</p> <p>If the glass has stuck together, push the two sheets to the back of the channel, then slowly pull the front sheet of glass forward from one end. This will release the suction between the sheets.</p>
HANDLES COME OFF	If handles come off frequently either purchase some new handles and sticky pads from Access or use a glue such as 'liquid nails' or 'no more nails' to permanently glue the handles to the glass.
SHELVES WILL NOT FIT INTO THE BACK LEGS	<p>Check that the back legs have been fitted the right way round - see page 2.</p> <p>Check that dimension A = B - see page 6.</p>
LOUVRE VENT DOES NOT FULLY CLOSE ON COLD DAYS	<p>Loosen the two screws which hold the automatic opener to the vent. Push the opener up as far as it will go. Retighten the 2 screws.</p> <p>If the unit still does not fully close, lubricate the opener mechanism and all the pivot points with WD-40</p>
WATERING INLET LEAKS	Try tightening the inlet fitting as it needs to be tight to seal.

PERIODIC MAINTENANCE

Every Spring take the glass out of the greenhouse and wash glass and framework with warm soapy water.

Lubricate the automatic louvre vent bi-monthly and remove if subject to very heavy frosts.

When inserting the glass, always check that the glass is properly seated in its top and bottom channels before letting go of the sheet.

CHECK THE TIGHTNESS of all bolts regularly, especially in very windy areas or powder coated frames.

CROP ROTATION Suggestions for suitable crops and sowing dates given in the free Access Growing Guide

VENTILATION In cold weather gentle ventilation can be given by sliding the four front sheets of glass to give 2-3" (5-8cm) gap at each corner.

In warmer weather allow a gap on the top sheets as well. In very hot weather open all the sheets of glass.

To ensure that the correct temperature is maintained use a thermometer inside the greenhouse. You can completely remove the top sheets in summer. Access shading will help keep temperatures down, and stop birds etc getting inside. The Access Automatic Vent will look after ventilation - automatically!

GALES The greenhouse must be kept fully closed in rough weather.

GLASS CHANNELS Ensure that this is kept free from debris and allows the glass to slide smoothly. Periodically lubricate the running edge of the glass with a wax candle.

SNOW If snow is very heavy - avoid letting it build up on the roof

SHELVING Stand pot plants on saucers, or use optional shelf covers which incorporate a layer of capillary matting to absorb excess water when watering. Alternatively, stand the pots in empty seed trays.

WATERING SYSTEM The system accepts standard quick connectors. Turn the tap on slowly until the mist fills the greenhouse; too much pressure will throw water on to the back wall. Leave on for 5 minutes, or ½ minute for damping down.

SITING Site on the sunniest place available. Anything from East through South to West is suitable. If it has to face North, don't despair, it will be warmer in than outside! If you can fix to a brick or stone wall, you will get extra heat storage during the day.

REDUCING THE LENGTH If it is just too long for your ideal spot, it can be shortened. Re-drill the holes at one end of the rails - moving them in by the amount you need to remove. Hacksaw off the surplus aluminium and shorten the shelf rods and irrigation pipe. The glass will merely overlap more - don't try to cut toughened glass!