

ASSEMBLY INSTRUCTIONS

6ft Value Wall Frame, Growhouse

CONTENTS

Main aluminium parts	P1
End sections	P2
Adding the long rails	P3
End plates	P4
Centre legs	P5
Squaring & fixing	P6
Wall & floor problems (SWG)	P7
Fitting back rails (SBG)	P8
Fitting the infill plate (SBG)	P9
Ground Fixing (SBG)	P10
Shelving	P11
Fitting liner	P12
Fitting handles	P13
Fitting glass	P14
Troubleshooting	P15
Notes on using the frame	P16

Please keep all packaging until installation is complete



Model SWG shown



Model SBG shown

Video instructions:

Helpful video clips are available at
www.garden-products.co.uk/instructions

Can we improve?

We hope that you find our instructions clear and concise. If you have any suggestions for improvements email:

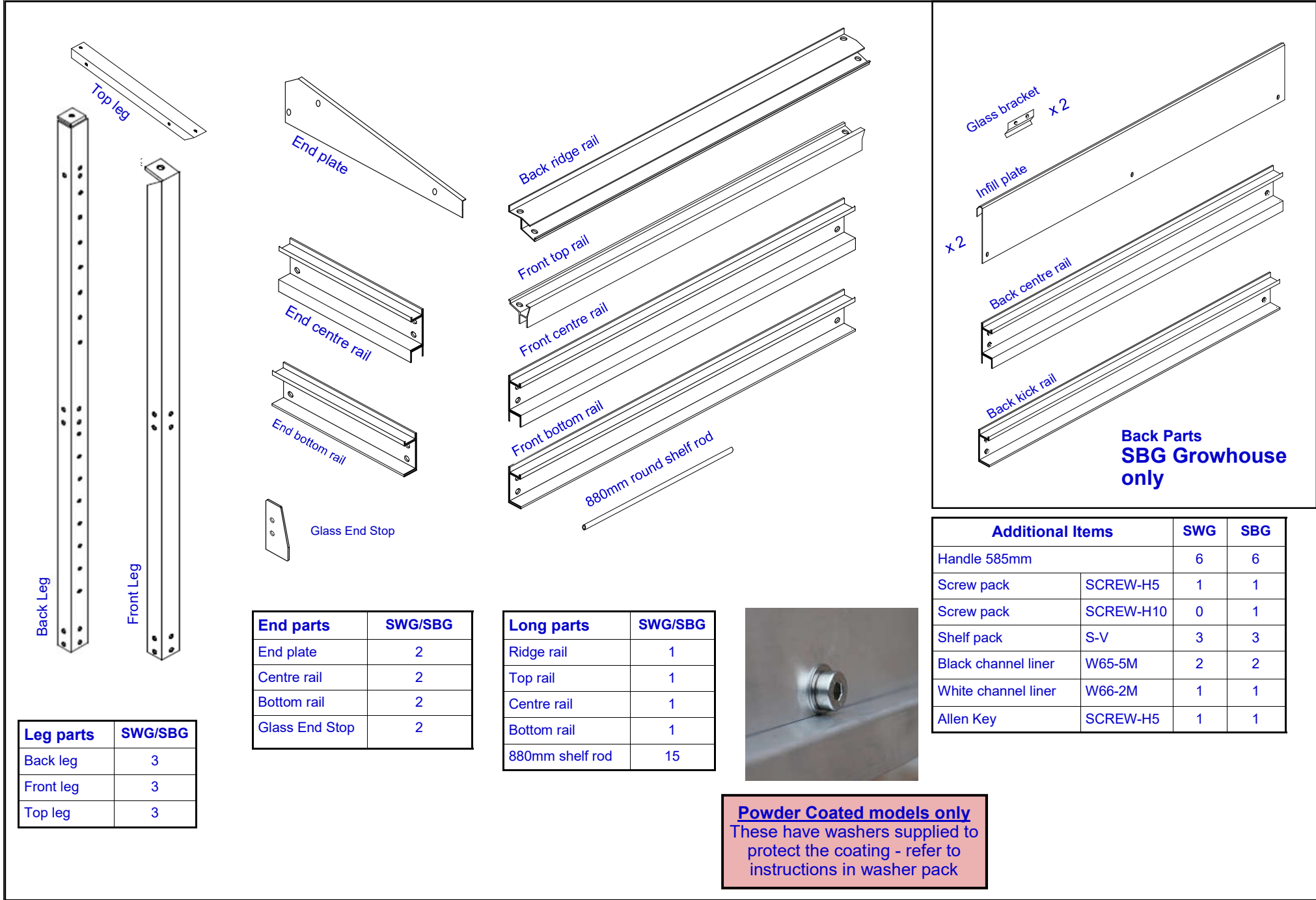
instructionfeedback@garden-products.co.uk

Access Garden Products
Crick
NORTHAMPTON
NN6 7XS

Tel: 01788 822301
Fax: 01788 824256
sales@garden-products.co.uk
www.garden-products.co.uk

Assembly instructions for models: SWG (6ft Wall Frame)
SBG (6ft Growhouse)

Date: Jan 24 Rev 9 File: SWBG



**Back Parts
SBG Growhouse
only**

End parts	SWG/SBG
End plate	2
Centre rail	2
Bottom rail	2
Glass End Stop	2

Long parts	SWG/SBG
Ridge rail	1
Top rail	1
Centre rail	1
Bottom rail	1
880mm shelf rod	15



Powder Coated models only
These have washers supplied to protect the coating - refer to instructions in washer pack

Additional Items		SWG	SBG
Handle 585mm		6	6
Screw pack	SCREW-H5	1	1
Screw pack	SCREW-H10	0	1
Shelf pack	S-V	3	3
Black channel liner	W65-5M	2	2
White channel liner	W66-2M	1	1
Allen Key	SCREW-H5	1	1

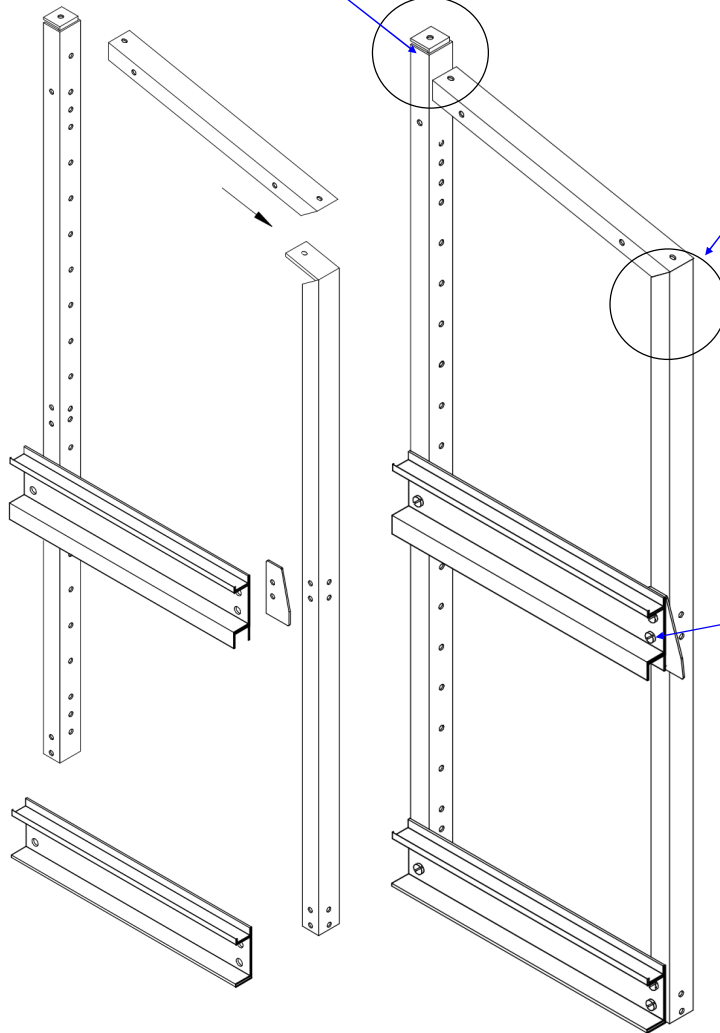
Leg parts	SWG/SBG
Back leg	3
Front leg	3
Top leg	3



Top leg rests against the **FLAT FACE** of back leg—it is not bolted to the back leg



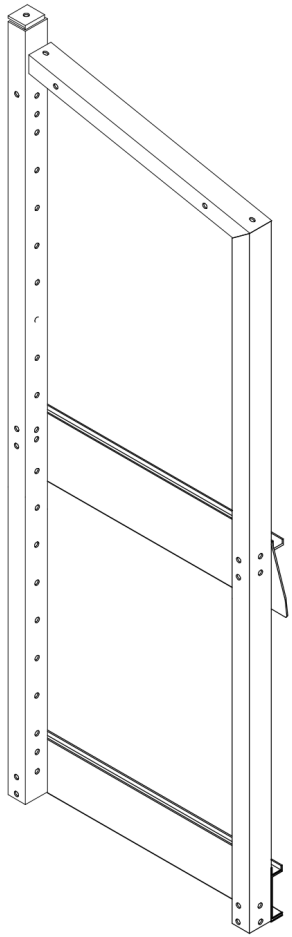
Slide the tongue of the front leg into the groove on the top leg.



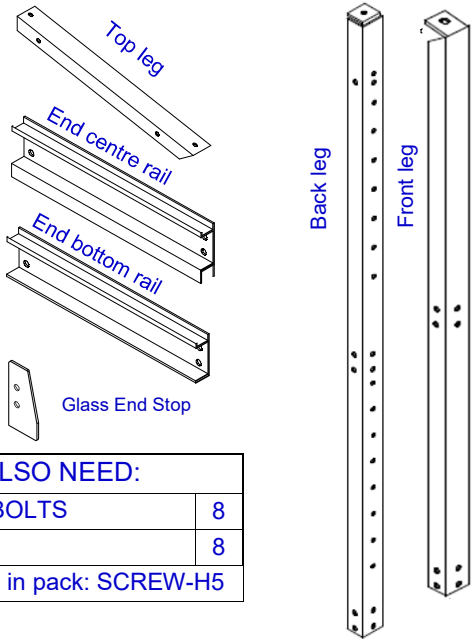
EXPLODED VIEW

FINISHED LEFT HAND VIEW

DEEPER CHANNEL AT BOTTOM



FINISHED RIGHT HAND VIEW



YOU ALSO NEED:

10mm BOLTS	8
NUTS	8
Located in pack: SCREW-H5	

PARTS NEEDED FOR EACH END

- 1 Make up the LEFT hand end as shown.
- 2 Make up the RIGHT hand end as shown

DO NOT FULLY TIGHTEN BOLTS AT THIS STAGE

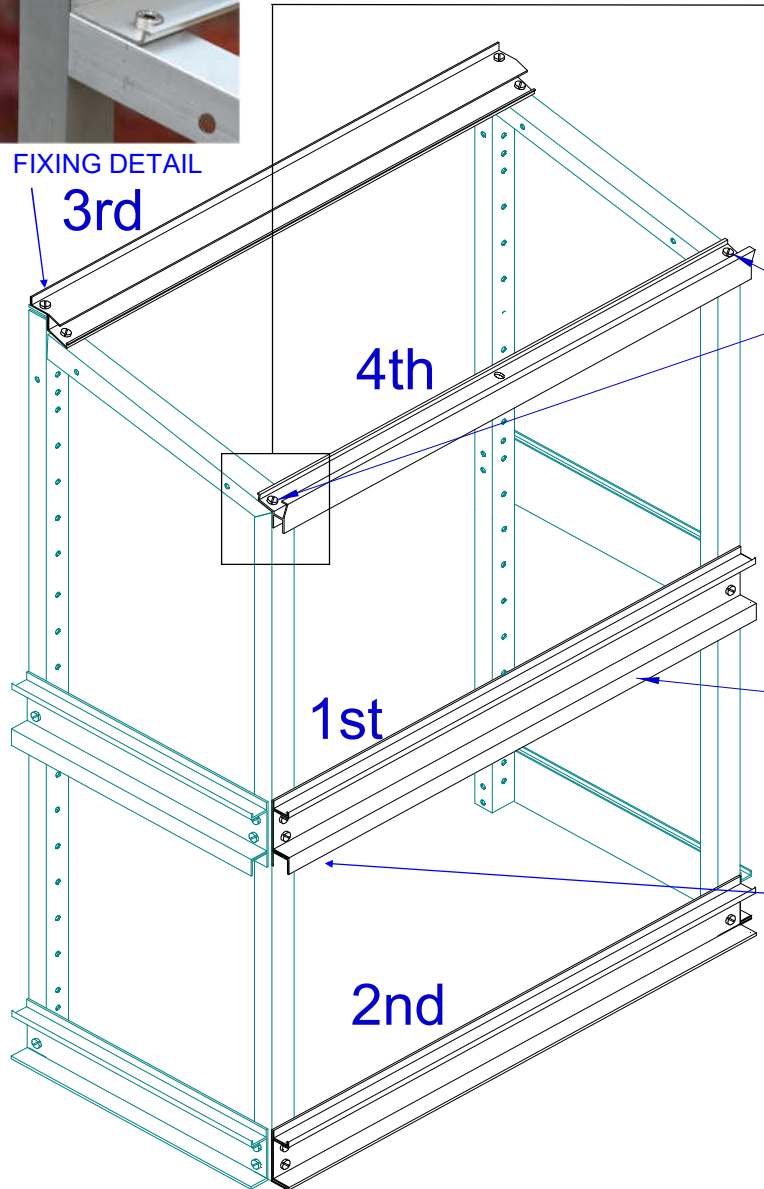
END SECTIONS



FIXING DETAIL



FIXING DETAIL



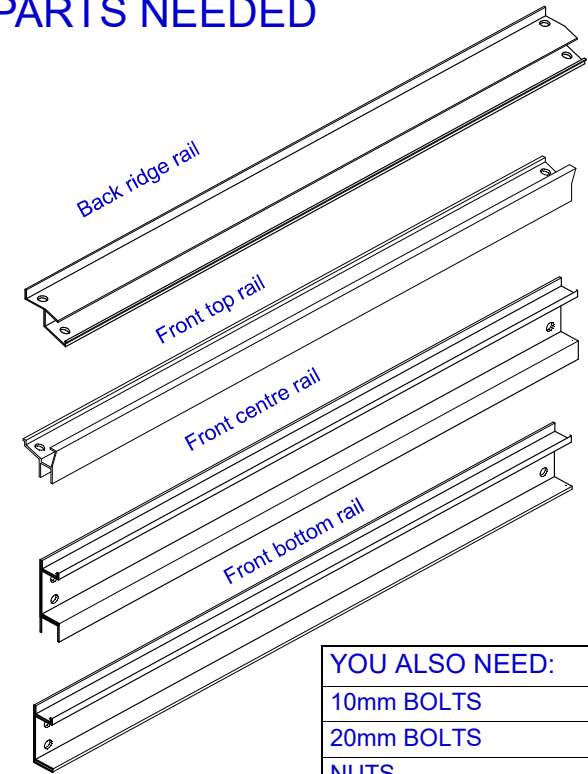
USE THE TWO 20MM BOLTS WITH THIS RAIL

THE DEEPER CHANNEL GOES AT THE BOTTOM



FIXING DETAIL

PARTS NEEDED

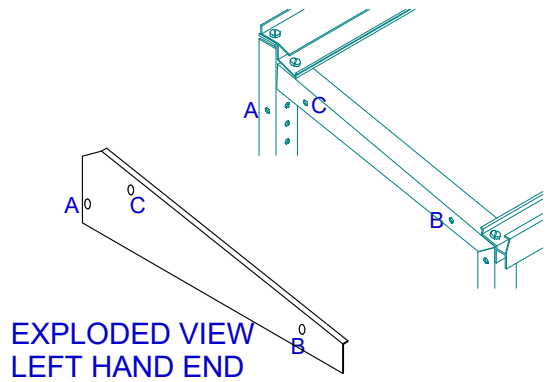


YOU ALSO NEED:

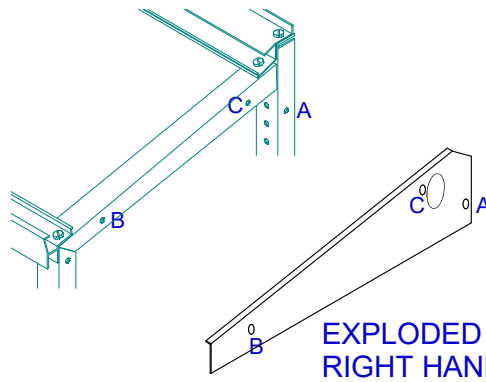
10mm BOLTS	12
20mm BOLTS	2
NUTS	14
Located in pack: SCREW-H5	

1 Bolt on the rails in the order shown.

DO NOT FULLY TIGHTEN BOLTS AT THIS STAGE



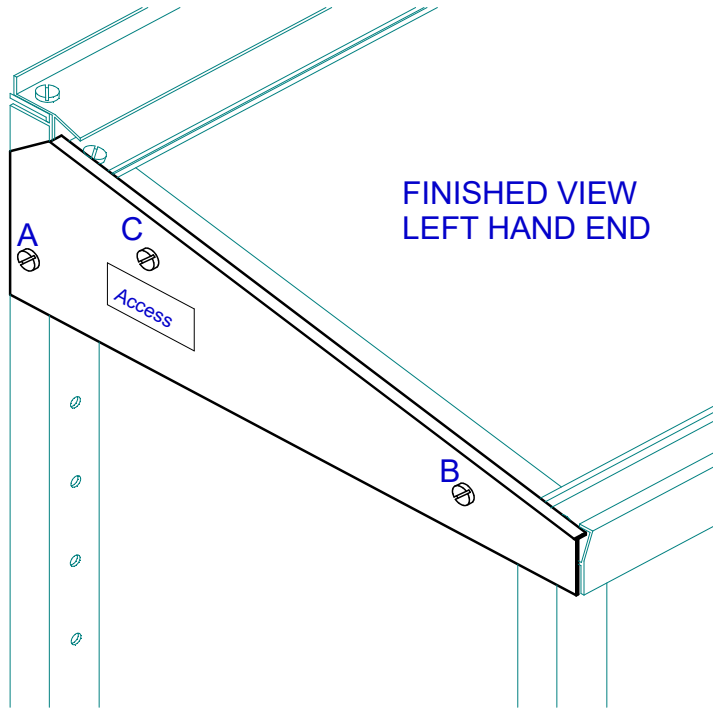
EXPLODED VIEW
LEFT HAND END



EXPLODED VIEW
RIGHT HAND END



THE END PLATE
FITS UNDER
THE RIDGE RAIL
LIP

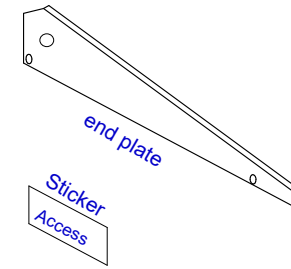


FINISHED VIEW
LEFT HAND END



THE END PLATE
FITS UNDER THE
FRONT RAIL LIP

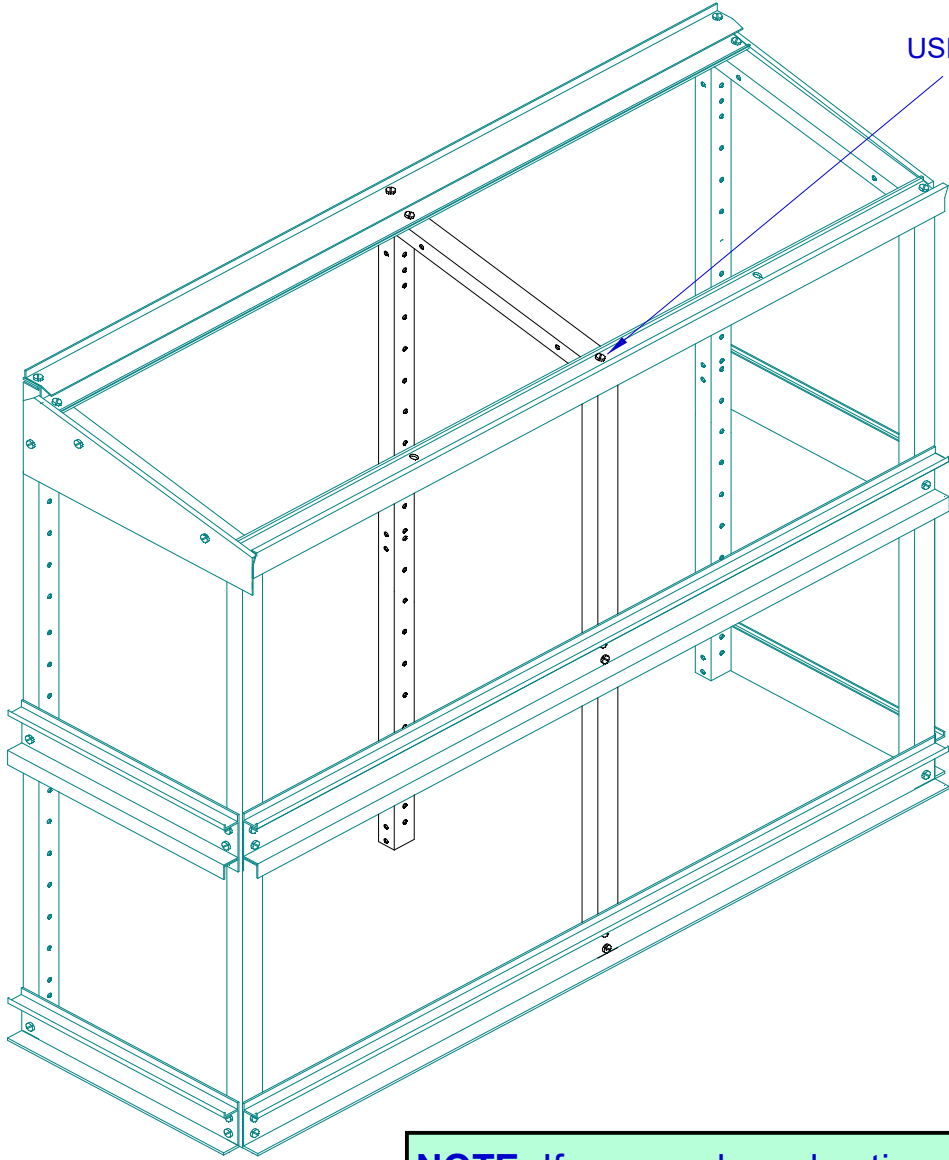
**PARTS NEEDED
FOR EACH END**



YOU ALSO NEED:	
10mm BOLTS	3
NUTS	3
3mm WHITE SPACER	2
BLACK GROMMET	1
Located in pack: SCREW-H5	

- 1 **Remove any plastic protective film** from the end plates and put 'Access' sticker on.
- 2 Bolts 'A' and 'B' go through the end plate THEN have a 3mm white spacer fitted BEFORE fitting to the frame.
- 3 Bolt 'C' only goes through the end plate and the frame.
- 4 Repeat for the other end.
- 5 One end plate will have a large hole in. Fit the black grommet into the hole.

**DO NOT FULLY TIGHTEN
BOLTS AT THIS STAGE**

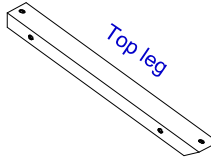


USE 20mm BOLT

CENTRE LEGS
PRIOR TO FITTING

NOTE: If you purchased optional centre staging fit it now, see separate instructions.

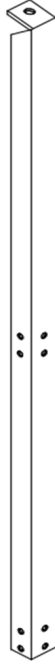
PARTS NEEDED



Top leg



Back leg



Front leg

YOU ALSO NEED:

10mm BOLTS	6
20mm BOLTS	1
NUTS	7
Located in pack: SCREW-H5	

1 Fit legs as shown into the frame.

DO NOT FULLY TIGHTEN BOLTS AT THIS STAGE

1

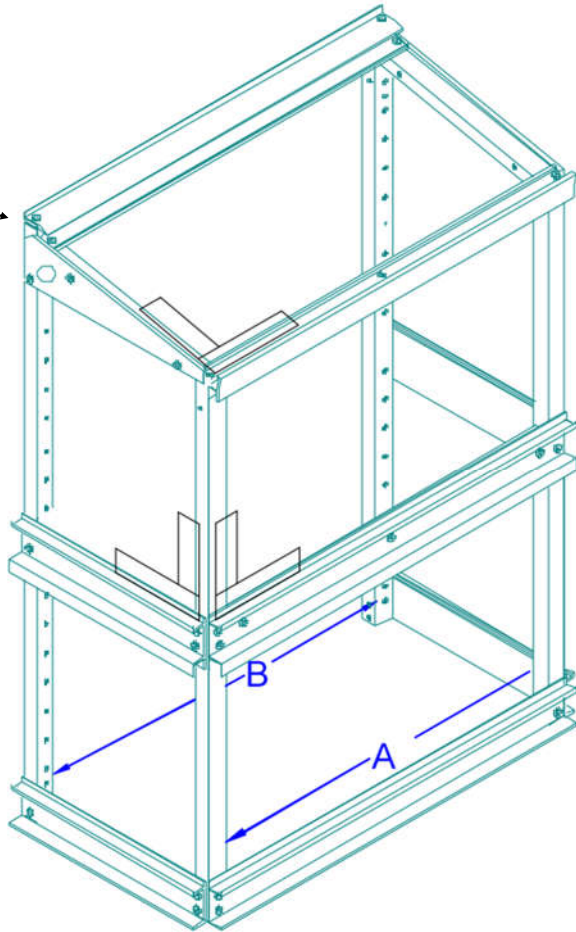
SQUARING THE FRAME

Use a set square (or the A5 frame squaring card provided) to square the unit up in the 3 places shown. Slacken the nuts if necessary to move the framework into a square position.

**IT IS ESSENTIAL TO GET THE FRAME SQUARE.
DO NOT ALIGN TO THE WALL AS IT MAY NOT BE SQUARE .**

Ensure distance 'A' is equal to distance 'B' otherwise the shelves will not fit.

If this nut turns while tightening, use a small pair of pliers to hold the nut



2

Once the frame is completely square fully tighten up all the nuts and bolts.

FULLY TIGHTEN ALL BOLTS EXCEPT THE END PLATE BOLTS, otherwise the framework will quickly work loose.

PERIODICALLY CHECK THE TIGHTNESS OF THE BOLTS

IF YOU HAVE A GROWHOUSE NOW GO TO PAGE 8

2

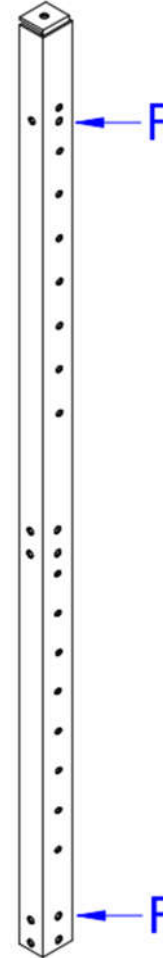
FIXING TO WALL

Two screws are used in each back leg (NOT SUPPLIED). We recommend 2" No. 8 or No. 10 woodscrews.

When fixing to a wall, rawlplugs will be required

Counting from the floor the screws go in the holes marked 'F'.

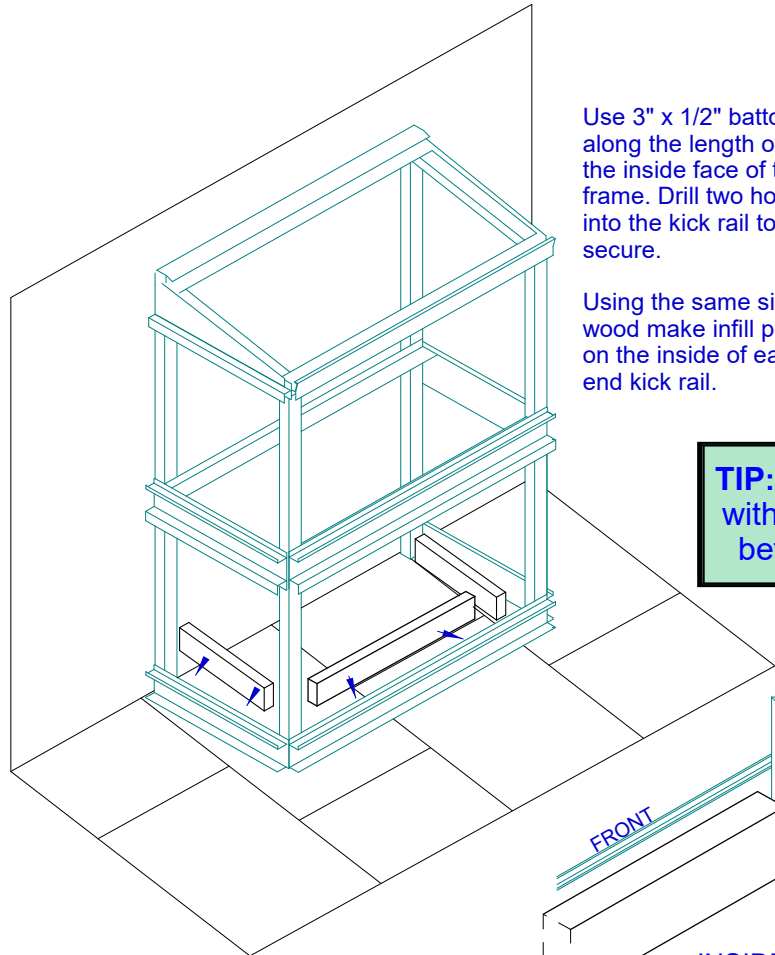
2 & 20



Back leg

WEAR APPROPRIATE SAFETY EQUIPMENT WHEN DRILLING OR HAMMERING

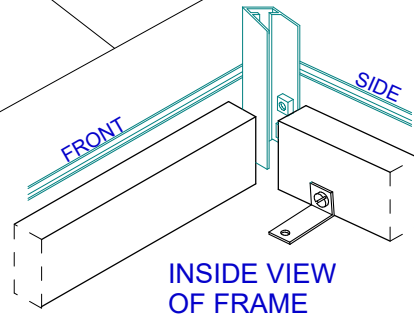
FLOOR FALLING AWAY



Use 3" x 1/2" batten along the length of the inside face of the frame. Drill two holes into the kick rail to secure.

Using the same size wood make infill pieces on the inside of each end kick rail.

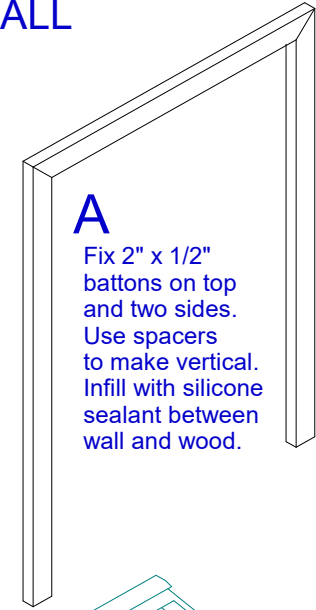
TIP: Always treat timber with wood preservative before fixing in place



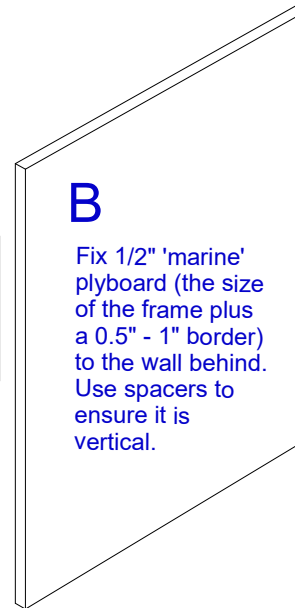
Screw or bolt 'L' shaped brackets to the wood and then to the floor

ROUGH OR SLOPING WALL

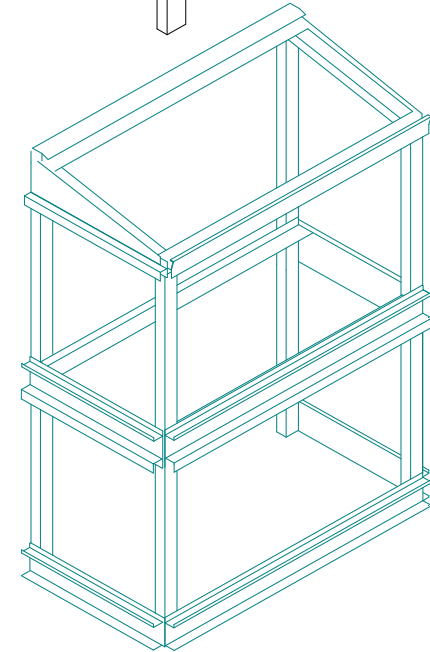
To solve problems with walls choose option A or B below. Fit the frame to the woodwork using 1.25" wood screws. (not supplied)
Seal around the inside of the frame with silicone sealant when finished.



A
Fix 2" x 1/2" battens on top and two sides. Use spacers to make vertical. Infill with silicone sealant between wall and wood.

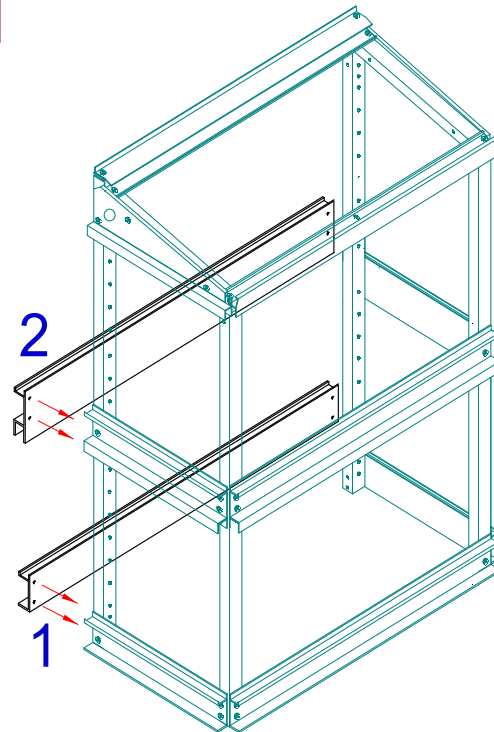


B
Fix 1/2" 'marine' plyboard (the size of the frame plus a 0.5" - 1" border) to the wall behind. Use spacers to ensure it is vertical.



IF YOU HAVE A WALL FRAME MODEL NOW GO TO PAGE 11

FOR VERY WINDY AREAS
FIT OPTIONAL EXTREME
WEATHER KIT (FR-FBG)

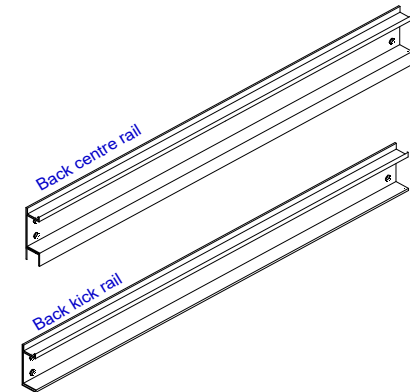


- 1 Bolt on back bottom rail. Push long bolts through kick rail then fit a 20mm nylon spacer BEFORE passing through the leg and fitting a nut on the inside of the frame.
- 2 Bolt on back centre rail. Push long bolts through centre rail then fit a 20mm nylon spacer BEFORE passing through the leg and fitting a nut on the inside of the frame.



Nylon spacer
on bolt

PARTS NEEDED



YOU ALSO NEED:

30mm BOLTS	12
NUTS	12
20mm NYLON SPACER	12
Located in pack: SCREW-H10	

**FULLY TIGHTEN BOTTOM
AND CENTRE RAIL BOLTS**

1

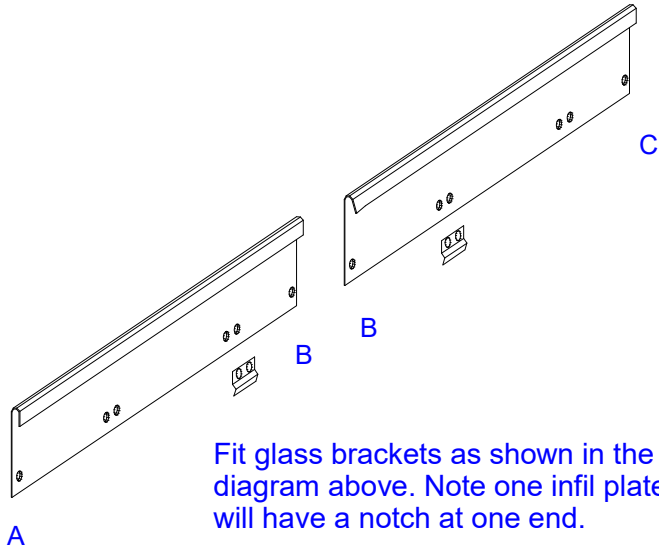
Glass brackets must be fitted to both infill plates. **Remove the plastic protective film from both infill plates.** 10mm bolts 'E' go through the infill plate from the outside. Put a 3mm nylon spacer on each bolt before pushing on the glass bracket, then fit the nut. Glass bracket is **INSIDE** frame and will clamp onto the glass once the glass is in place.



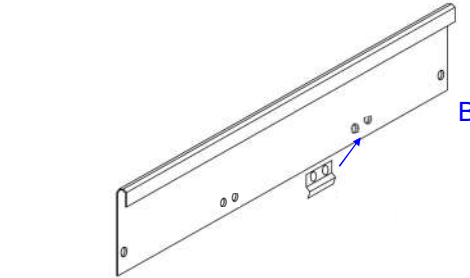
Nylon spacers on infill plate



Completed bracket inside Growhouse



Fit glass brackets as shown in the diagram above. Note one infill plate will have a notch at one end.

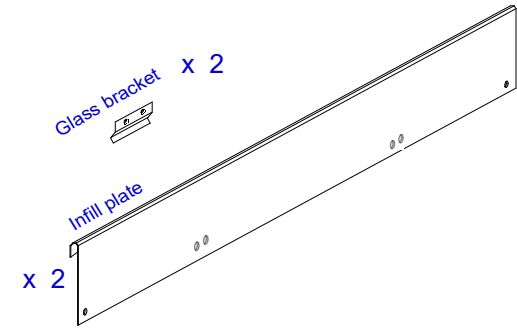


Nylon spacers on infill plate

2

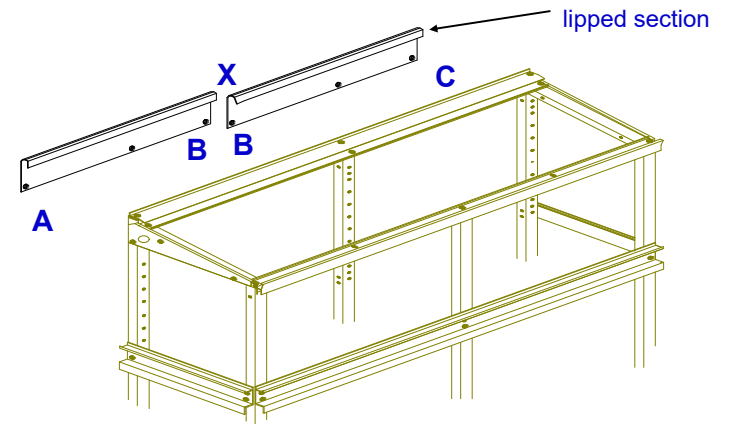
Take the **NOTCHED** lipped section and push over the upstand on the back rail, it will cover half the length of the frame. Push a 30mm bolt through hole 'A', then fit a white 3mm spacer and a 20mm nylon spacer. Push the bolt into the frame and fit a nut on the inside of the frame. Take the second infill plate and place it over the upstand on the back rail, overlapping the first plate so holes 'B' align. Bolt through 'B' (rear centre leg) and 'C' remembering to add both spacers. **Do not overtighten these bolts.**

PARTS NEEDED



YOU ALSO NEED:

10mm BOLTS	4
30mm BOLTS	3
NUTS	7
20mm NYLON SPACER	3
3mm NYLON SPACER	7
Located in pack: SCREW-H10	



1

FIXING TO FLOOR

Fit the 'L' brackets to the front legs using a nut and bolt.

Turn the framework upside down and fit the 'L' brackets to the back legs using a nut and bolt.

PARTS NEEDED

Ground Fixing Pack FR-AKG

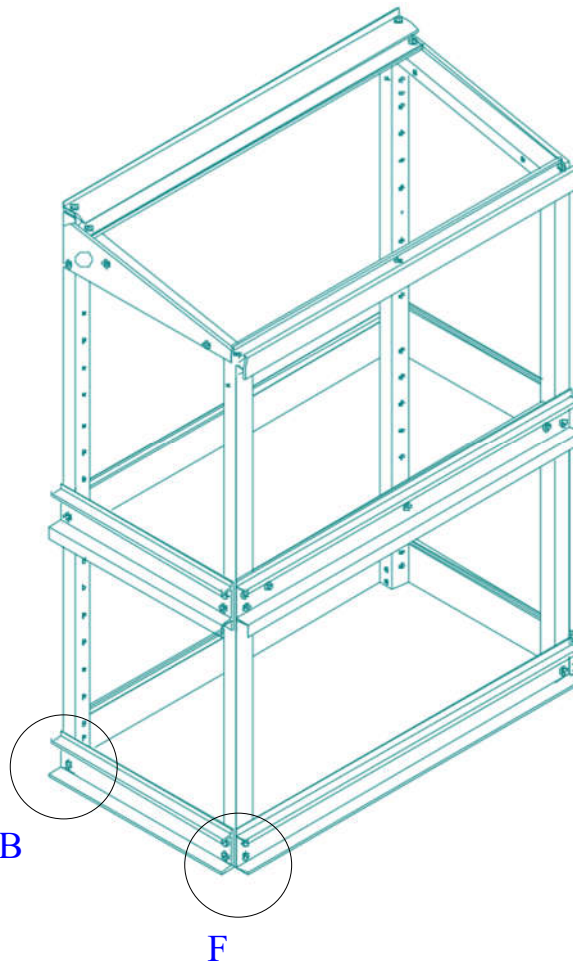
2

Place the framework in its final position and drill through the bracket with a 6mm masonry drill bit, to a depth of 35mm. Insert the red rawplug, through the bracket and into the concrete.

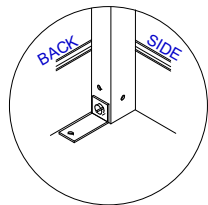
Using a woodscrew, screw through the 'L' bracket and into the rawplug.

Repeat for other brackets.

WEAR APPROPRIATE
SAFETY EQUIPMENT
WHEN DRILLING OR
HAMMERING

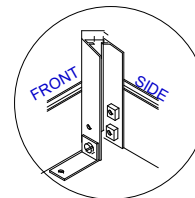


B



INSIDE VIEW OF BACK
LEG SHOWING FIXING

F



INSIDE VIEW OF FRONT
LEG SHOWING FIXING



Completed front bracket

Models have 3 standard half length shelves + 3 wide half length shelves.

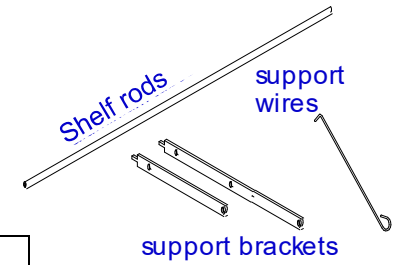
- 1 Lightly tap rawlplug inserts into both ends of the tubular aluminium shelf rods with a hammer.
- 2 Slide the two hooks onto the tube, as shown then screw the support bracket on at each end.
- 3 Fit the other rods to the shelf.

FITTING



Hook support wire into top hole, then swing shelf upward into the adjacent hole below.

PARTS NEEDED

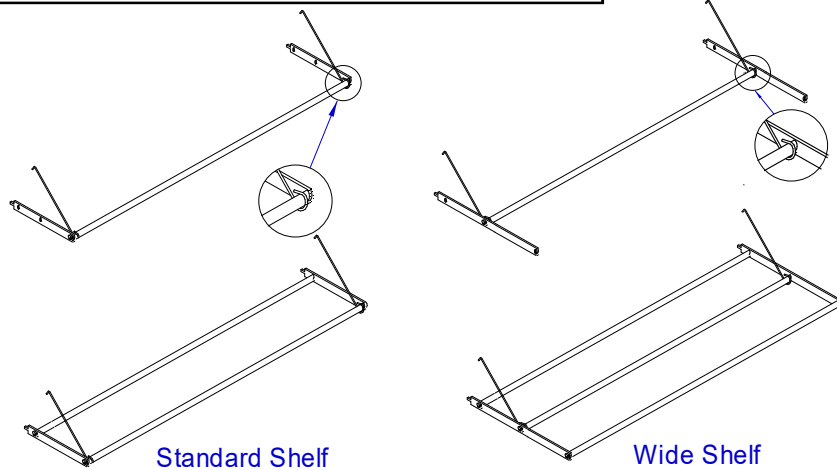
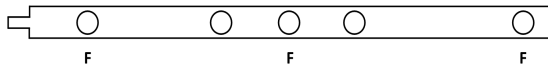


YOU ALSO NEED PER SHELF ROD:

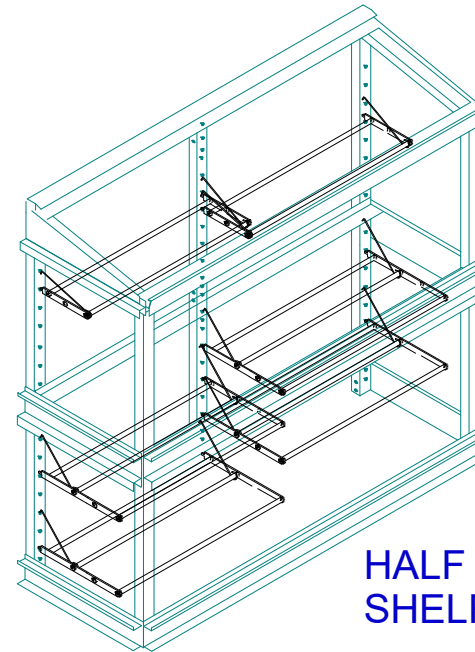
RAWLPLUG	2
1" WOOD SCREW	2
Located in packs: S-V	

NEW 5-hole strap

Fit the rods to the holes 'F'

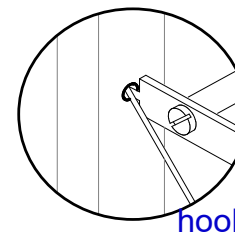


Note: A Pozidrive screwdriver will fit the screws best



HALF LENGTH SHELF FITTING

Support wires can share same hole as support bracket



bracket

hook

The large number of holes in the back leg allow the spacing of the shelves to be easily altered.

When the shelves are not needed they can either be removed or they can be unhooked from the lower fixing hole and hung flat against the back using the wires.

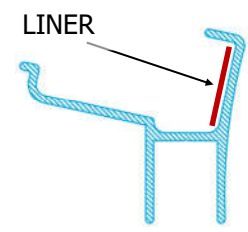
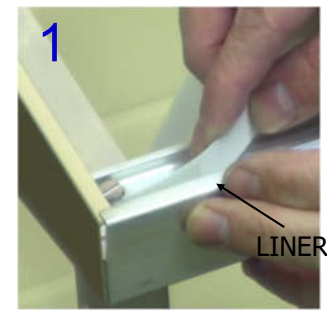


Bottom shelf hung flat against the back

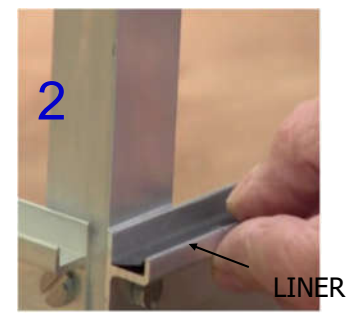
FITTING THE CHANNEL LINER

TIP: Before sticking the tape, clean the aluminium of any oil traces to promote adhesion.

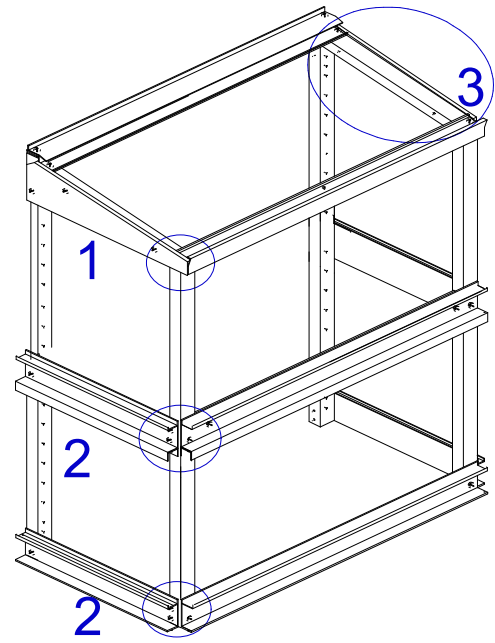
1 The white liner (W66-2M) fits on the inside vertical face of the top FRONT rail only. This is a loose fit so strips of double sided tape are included to secure it until the glass is in place.



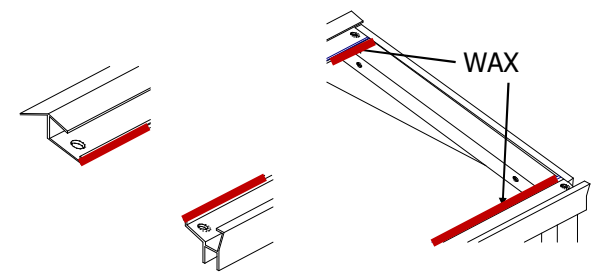
2 The black plastic liner (W65-5M) goes in the FRONT bottom and centre rails only. Using the strips of double sided tape press liner down so that it LIES FLAT at the bottom of the channel - trim with a knife if necessary.



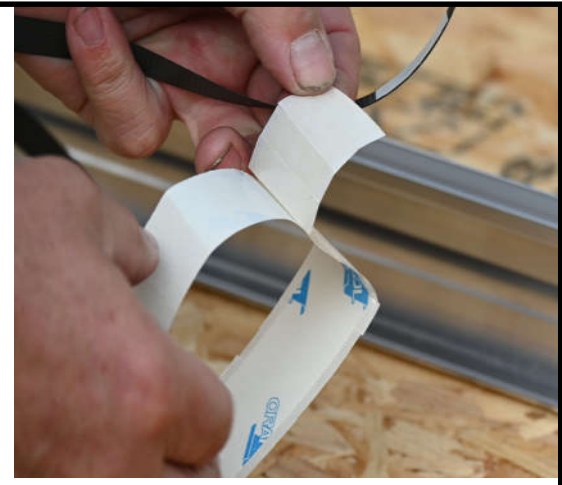
THE DOORS WILL NOT SLIDE PROPERLY IF THE LINER IS NOT FLAT



3 To make the top glass slide more easily, rub candle wax onto the glass bearers. Also wax the black and white liners.



Removing the tape
 Peel the narrower backing tape off first, this will expose the sticky pad, allowing it to be stuck onto the liner.
Tip: Bend the backing tape back on itself to make it easier to peel the sticky pad off.
 Place pads regularly down the length of the liner.
 When ready, peel the wide backing pads off the tape and stick the liner to the aluminium.



On the next page are instructions on how to fit the handles to the glass

When fitting the handles, place the glass on a table or timber battens. **NEVER PLACE THE GLASS DIRECTLY ON CONCRETE OR SLABS**

Always fit the handles to the left hand side of the glass sheet

DO NOT lift the glass by the handle

If possible, leave the handles overnight in a warm place to promote the curing of the adhesive

When fitting the handles, place the glass on a table or timber

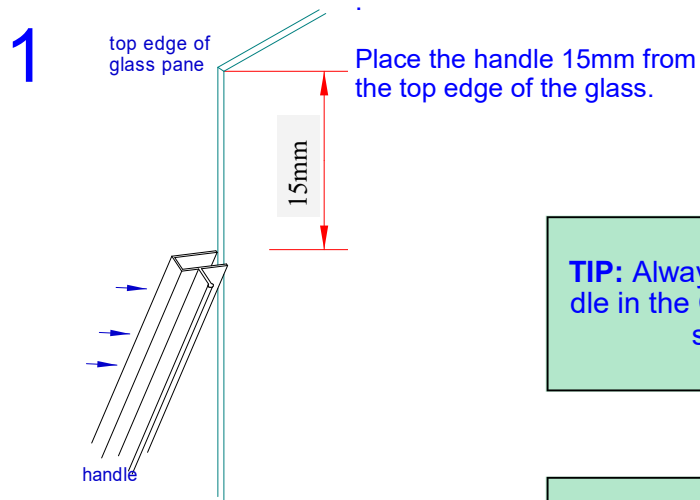
WARNING

If broken, toughened glass will fragment safely.

If the edges are knocked or chipped the glass will spontaneously fragment. This is a natural occurrence due to the toughening process. Care should be taken when moving or cleaning, not to damage the edge of the glass.

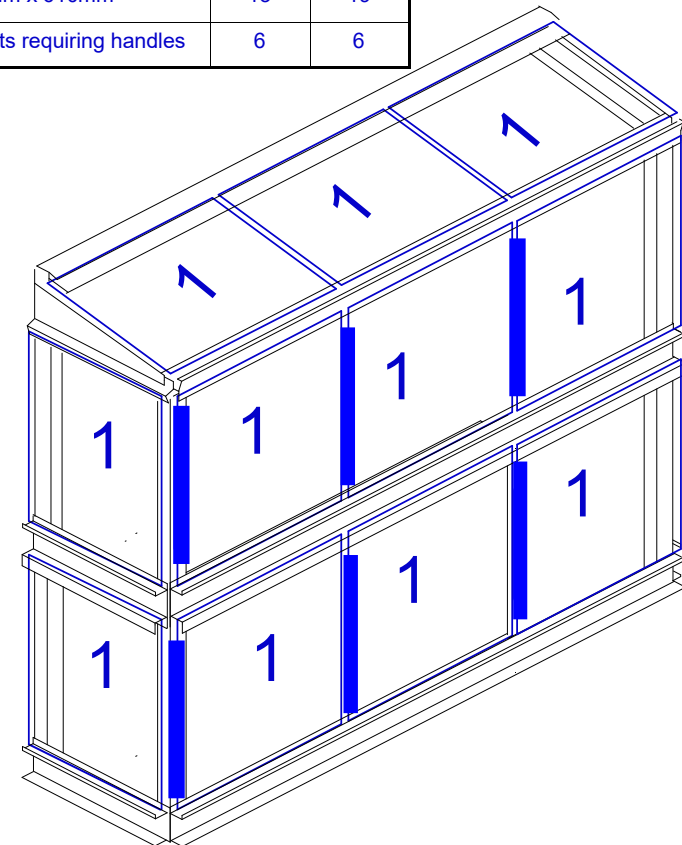
When placing the glass in the frame, ensure that the glass is securely placed in the runners before letting go of the glass.

GLASS	SWG	SBG
610mm x 610mm	13	19
Sheets requiring handles	6	6



TIP: Always grip the handle in the **CENTRE** when sliding

TIP: Do not try and slide the handle on from the top or bottom



Top and end glass have no handles



1

Ideally work on a table or a workbench.

It is best the work inside to keep the pads warm and dry.



2

Mark the glass 15mm from the top edge for sheets.

Short value handles: 120mm from the top of the glass.



3

Open the sachet and wipe the glass where the tape will stick.



4

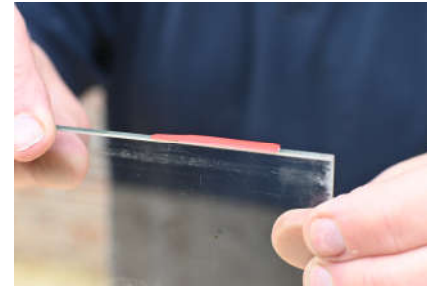
Replace the cloth in the plastic bag to prevent evaporation.



5

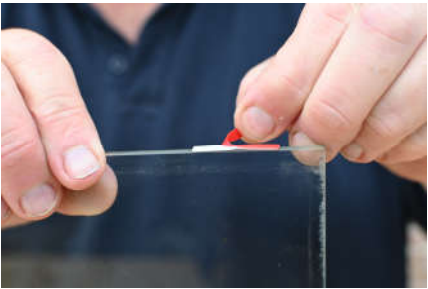
Peel the pad off the backing.

Each handle has 2 pads (top and bottom of handle).



6

Press the pad down firmly to ensure good adhesion to the glass.



7

Peel the cover strips off all of the pads.



8

Using the pen mark as a guide, fit the handle.

Slide the two arms of the 'U' over the edge of the glass.



9

Work the handle on with your hands.



10

Use one of the glass battens to gently tap the handle down.



11

Work the handle on all the way down the glass.

Use the timber batten if necessary.



12

Use the timber to make sure the handle is flat.

Leave overnight in the warm to fully cure the adhesive

HOW TO FIT THE HANDLES AND PADS

FITTING HANDLES

Fit the handles to the front glass before fitting into the frame. Ensure the handles are always on the left hand side of the glass.

TOP BACK GLASS –GROWHOUSE ONLY

Slacken the infill panel bolts and gently slide the first sheet in from the rear corner, slide to the centre. Repeat for the other sheets. Two sheets will overlap behind each of the glass brackets (E). Carefully retighten the bolts. Fit a ring wedge (D) into the bottom glass channel - 1 per sheet.

BOTTOM BACK GLASS –GROWHOUSE ONLY

To fit the glass push the sheet into the deeper top channel, then lower into the bottom channel (C). Fit the glass using the same method as the front glass. In the centre of each pane, push a black thimble shaped wedge into the top glass channel to prevent the glass rattling (F). Fit a ring wedge (D) into the bottom glass channel - 1 per sheet.

FITTING THE GLASS (TOP SHEETS, FRONT SHEETS & BOTTOM END SHEETS)

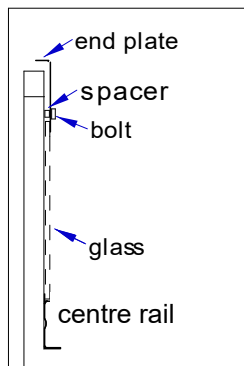
To fit the glass push the sheet into the deeper top channel, then lower into the bottom channel (C). Make sure the glass is firmly in the bottom channel before letting go. Always start glazing from the left hand end and overlap each subsequent pane by approx 1”(2cm).

TOP END GLASS

Slacken the two lower end plate bolts then slide the glass into place from the front corner. The glass is held between the framework and the end plate (A). The bolts on the end plates can then be carefully re-tightened. Fit a ring wedge (D) into the bottom glass channel.

BOTTOM END GLASS

To stop the lower end glass panel rattling, push a black thimble shaped wedge into the top glass channel (F). Fit a ring wedge (D) into the bottom glass channel.



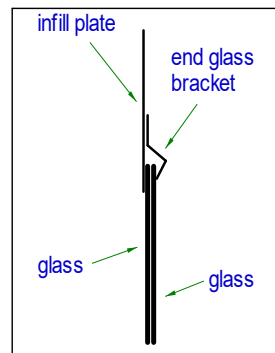
A. End glass detail



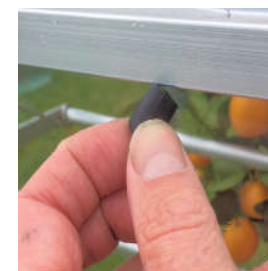
C. Fitting the glass



D. Ring wedge
(located in packs
SCREW-H5 and
SCREW-H8)



E. Top back glass overlap



F. Thimble wedge
(located in pack
SCREW-H5 and
SCREW-H8)

GLASS STICKS TOGETHER	This is normally due to the handles not being put on the correct side of the glass. See page 13 for details of where the handles should be fitted to the glass.
HANDLES COME OFF	If handles come off frequently either purchase some new handles and sticky pads from Access or use a glue such as 'liquid nails' or 'no more nails' to permanently glue the handles to the glass.
SHELVES WILL NOT FIT INTO THE BACK LEGS	Check that the back legs have been fitted the right way round - see page 2. Check that dimension A = B - see page 6.
GLASS FALLS OUT OF THE LOWER LEVEL	Ensure that the centre rail has the deeper channel at the bottom.

PERIODIC MAINTENANCE Every Spring take the glass out of the greenhouse and wash glass and framework with warm soapy water. When inserting the glass, always check that the glass is properly seated in its top and bottom channels before letting go of the sheet.

CHECK THE TIGHTNESS of all bolts regularly, especially in very windy areas or powder coated frames.

CROP ROTATION Suggestions for suitable crops and sowing dates given in the free Access Growing Guide

VENTILATION In cold weather gentle ventilation can be given by sliding the front sheets of glass to give 2-3" (5-8cm) gap at each corner.

In warmer weather allow a gap on the top sheets as well. In very hot weather open all the sheets of glass. To ensure that the correct temperature is maintained use a thermometer inside the greenhouse. You can completely remove the top sheets in summer.

GALES The greenhouse must be kept fully closed in rough weather.

GLASS CHANNELS Ensure that this is kept free from debris and allows the glass to slide smoothly. Periodically lubricate the running edge of the glass with a wax candle.

SNOW If snow is very heavy - avoid letting it build up on the roof

SHELVING Stand pot plants on saucers, or use optional shelf covers which incorporate a layer of capillary matting to absorb excess water when watering. Alternatively, stand the pots in empty seed trays.

SITING Site on the sunniest place available. Anything from East through South to West is suitable. If it has to face North, don't despair, it will be warmer in than outside! If you can fix to a brick or stone wall, you will get extra heat storage during the day.

REDUCING THE LENGTH If it is just too long for your ideal spot, it can be shortened. Re-drill the holes at one end of the rails - moving them in by the amount you need to remove. Hacksaw off the surplus aluminium and shorten the shelf rods. The glass will merely overlap more - don't try to cut toughened glass!