

ASSEMBLY INSTRUCTIONS

Cold Frames

CONTENTS

Main aluminium parts	P1
End sections	P2
Adding the long rails	P3
End plates	P4
Centre Legs	P5
Squaring	P6
Fitting shelf runners (optional)	P7
Assembling shelves (optional)	P8
Fitting liner	P9
Fitting handles	P10
Fitting glass	P11
Troubleshooting	P12
Notes on using the frame	P13



Model FF3 shown

Please keep all packaging until installation is complete

Video instructions:
Helpful video clips are available at
www.garden-products.co.uk/instructions

Can we improve?
We hope that you find our instructions clear and concise. If you have any suggestions for improvements email:
instructionfeedback@garden-products.co.uk

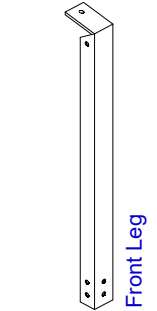
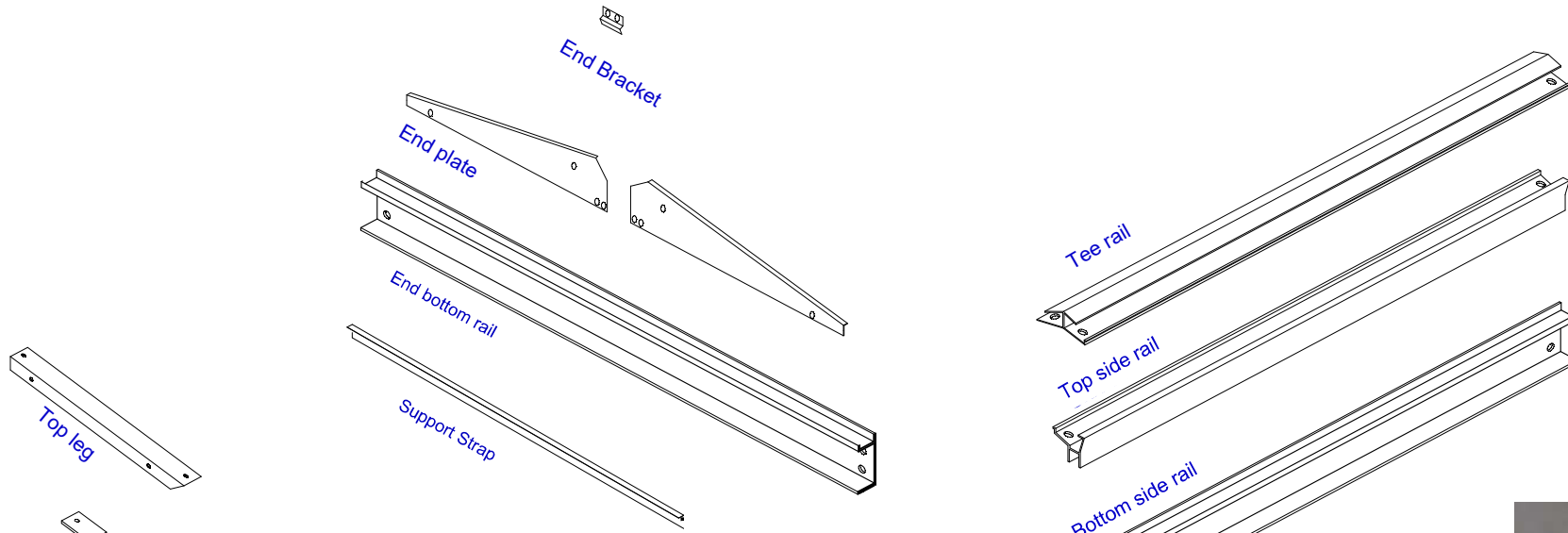
If you have purchased a Cold Frame Watering Kit, read the instructions before assembling the frame.

Access Garden Products
Crick
NORTHAMPTON
NN6 7XS

Tel: 01788 822301
Fax: 01788 824256
sales@garden-products.co.uk
www.garden-products.co.uk

Assembly instructions for models: FF3 (4ft) SF3 (6ft)
EF3 (8ft)

Date: Jan 2024 Rev 11 File: F3



End parts	FF3	SF3	EF3
End plate	4	4	4
End bracket	2	2	2
Bottom rail	2	2	2
Support Strap		1	1

Long Rails	FF3	SF3	EF3
Tee rail	1	1	1
Top side rail	2	2	2
Bottom side rail	2	2	2



Powder Coated models only
 These have washers supplied to protect the coating - refer to instructions in washer pack

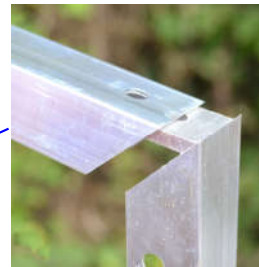
Leg parts	FF3	SF3	EF3
Front leg	4	6	6
Top leg	4	6	6

NOTE: If you purchased the optional watering kit refer to those instructions before assembling the frame.

Additional Items		Value Cold Frame		
		FF3	SF3	EF3
Handle 585mm		4	6	8
Screw pack	SCREW-H2	1	1	1
Black channel liner	W65-5M	1	2	2
White channel liner	W66-4M	1	1	2
Allen Key	SCREW-H2	1	1	1

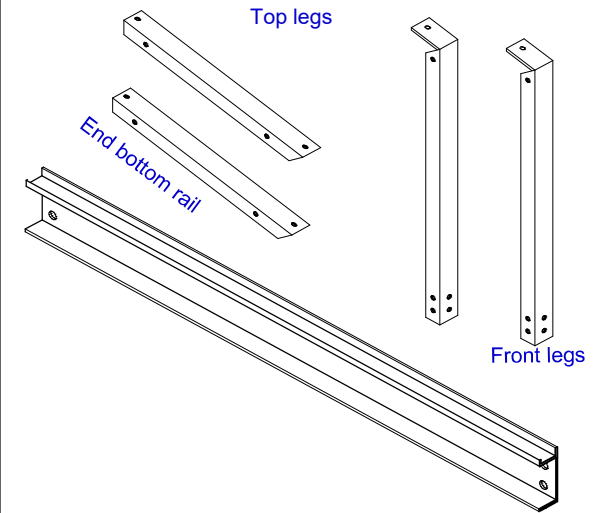
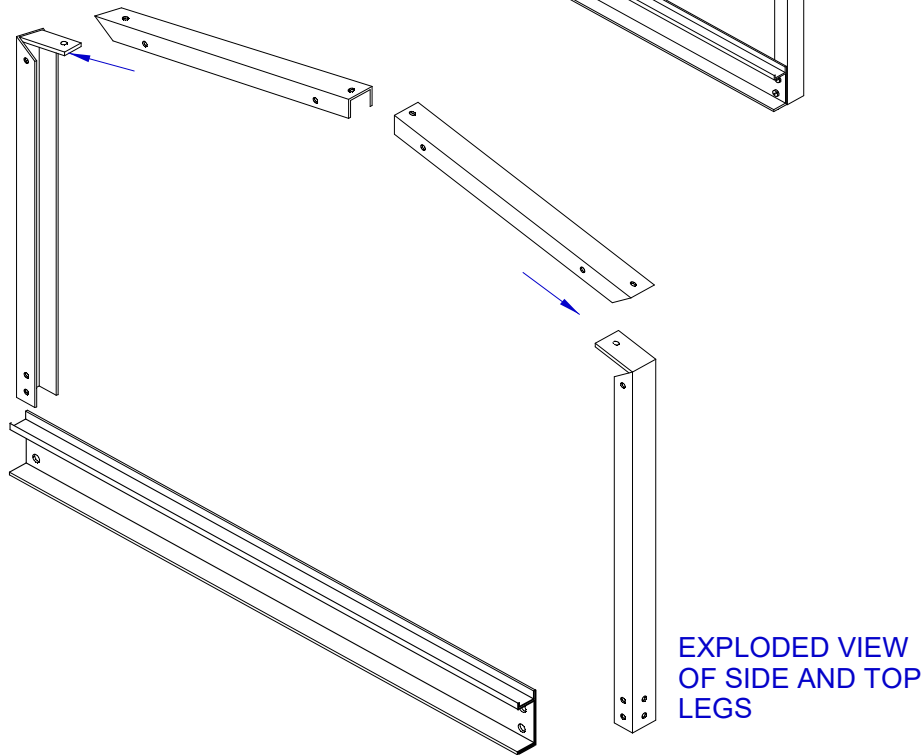
FINISHED LEFT HAND END

Do not put bolts
in these holes



Slide the tongue of
the front leg into
the groove on the
top leg.

Do NOT put a bolt
through the hole at
this stage.

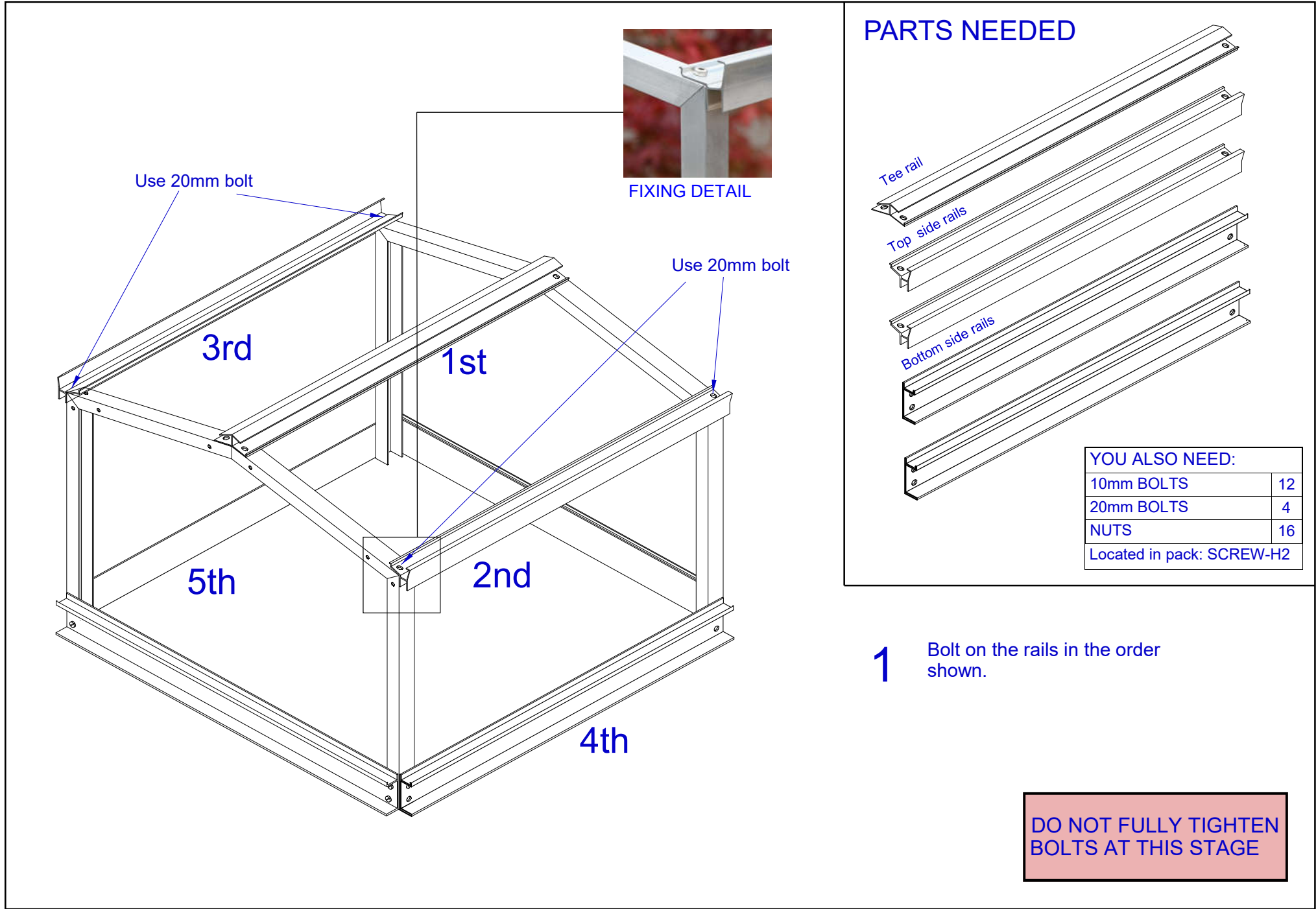


YOU ALSO NEED:	
10mm BOLTS	4
NUTS	4
Located in pack: SCREW-H2	

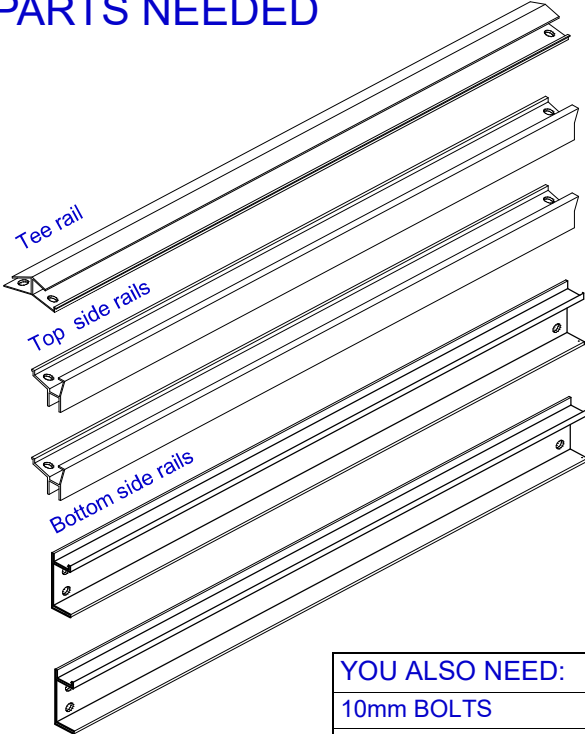
PARTS NEEDED FOR EACH END

- 1 Slot the side and top legs together
- 2 Make up the LEFT hand end as shown.
- 3 Make up the RIGHT hand end (NOT SHOWN)

**DO NOT FULLY TIGHTEN
BOLTS AT THIS STAGE**



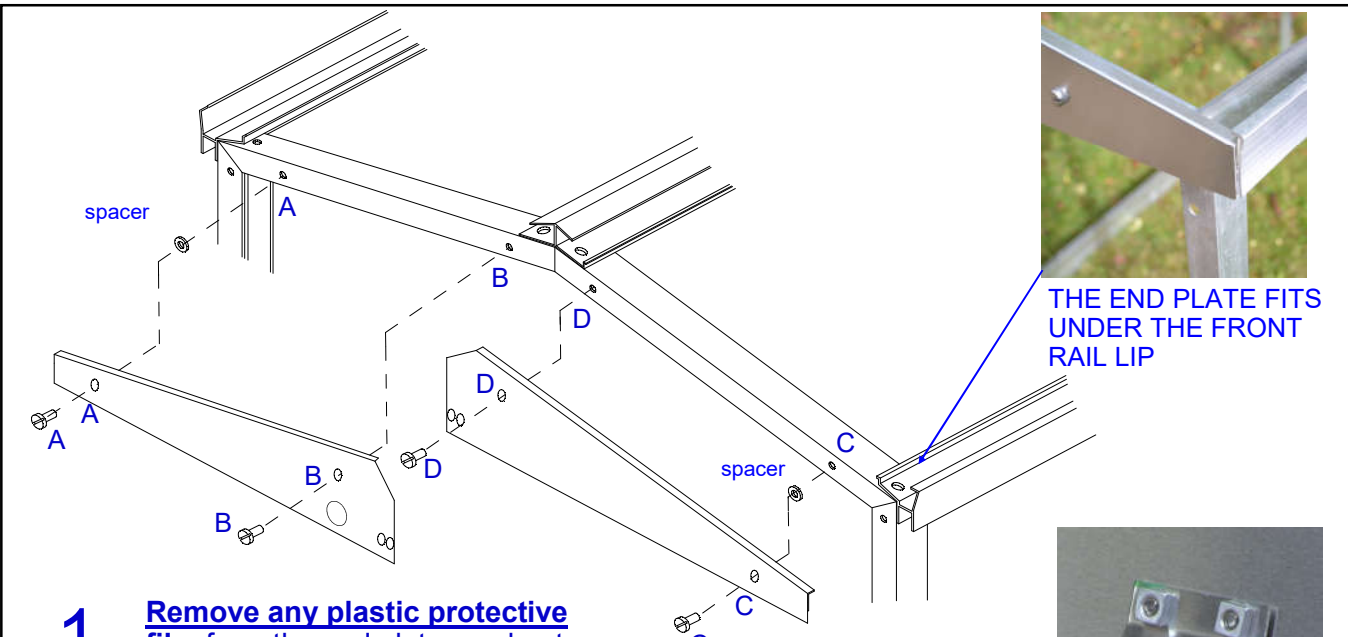
PARTS NEEDED



YOU ALSO NEED:	
10mm BOLTS	12
20mm BOLTS	4
NUTS	16
Located in pack: SCREW-H2	

1 Bolt on the rails in the order shown.

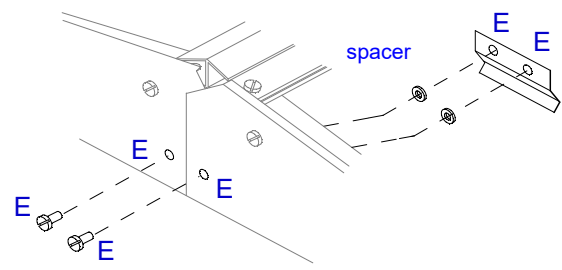
DO NOT FULLY TIGHTEN BOLTS AT THIS STAGE



THE END PLATE FITS UNDER THE FRONT RAIL LIP



Completed bracket inside Cold Frame



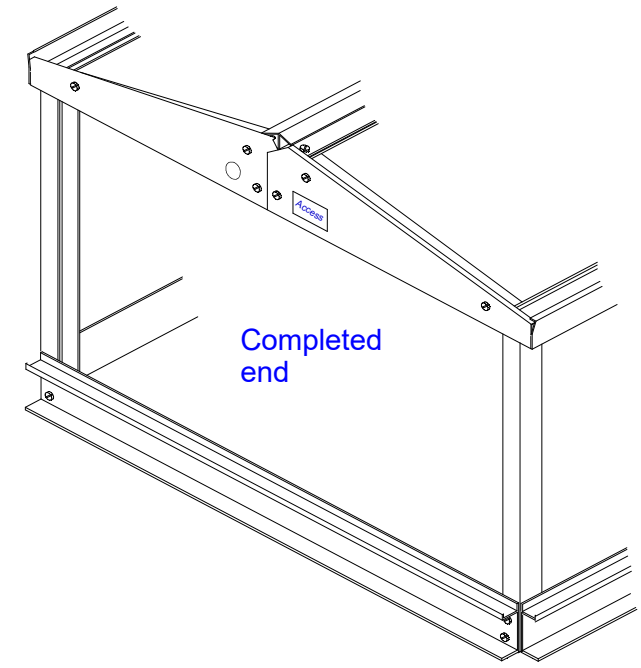
- 1 **Remove any plastic protective film** from the end plates and put 'Access' sticker on.
- 2 Bolts 'A' and 'C' go through the end plate THEN have a 3mm white spacer fitted BEFORE fitting to the frame.
- 3 Bolts 'B' and 'D' only go through the end plate and the frame.
- 4 Bolts 'E' go through the end plate THEN have a 3mm white spacer fitted. THEN push the end bracket over the bolts and fit the nuts.
- 5 One end plate will have a large hole in. Fit the black grommet into this hole.
- 6 Repeat for the other end

PARTS NEEDED FOR EACH END

YOU ALSO NEED:

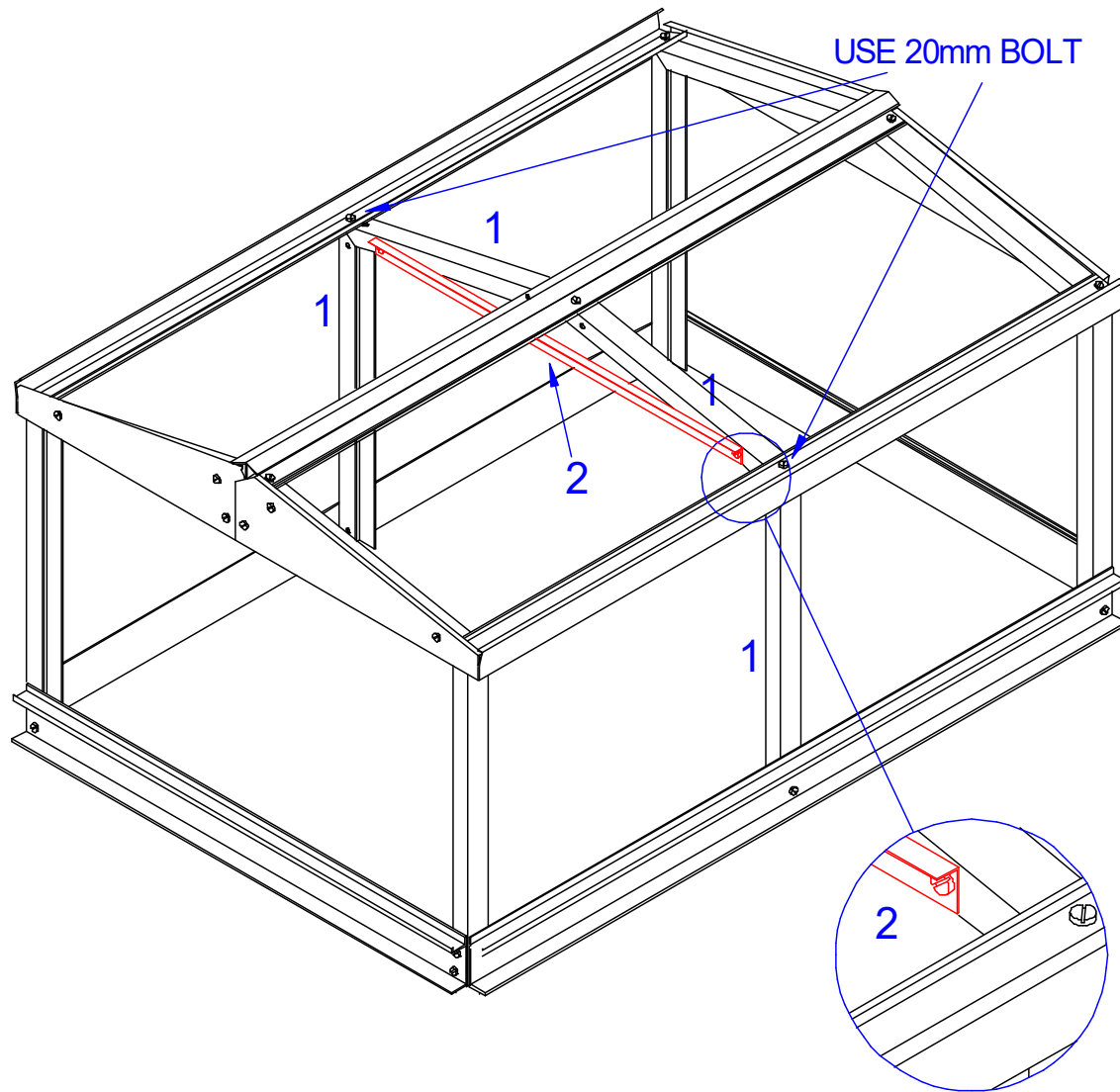
10mm BOLTS	6
NUTS	6
3mm WHITE SPACER	4
BLACK GROMMET	2
Located in pack: SCREW-H2	

'Access' sticker



IF YOU HAVE A 4' LONG MODEL GO TO PAGE 6

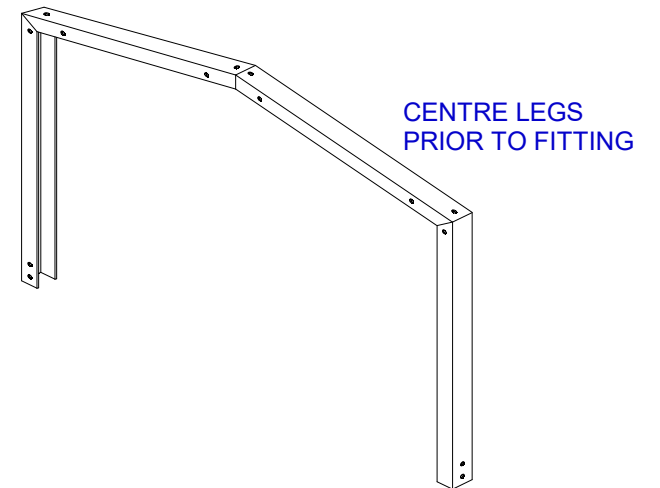
DO NOT FULLY TIGHTEN BOLTS AT THIS STAGE



1 Fit legs as shown into frame.

2 Fit centre support strap as shown. If the strap seems slightly too short, pull upwards on the tee rail at the centre point. This will bring the fixing holes slightly closer together.

YOU ALSO NEED:	
10mm BOLTS	8
20mm BOLTS	2
NUTS	10
Located in pack: SCREW-H2	



1

SQUARING THE FRAME

Use a set square (or the A5 frame squaring card provided) to square the unit up in the 3 places shown. Slacken the nuts if necessary to move the framework into a square position.

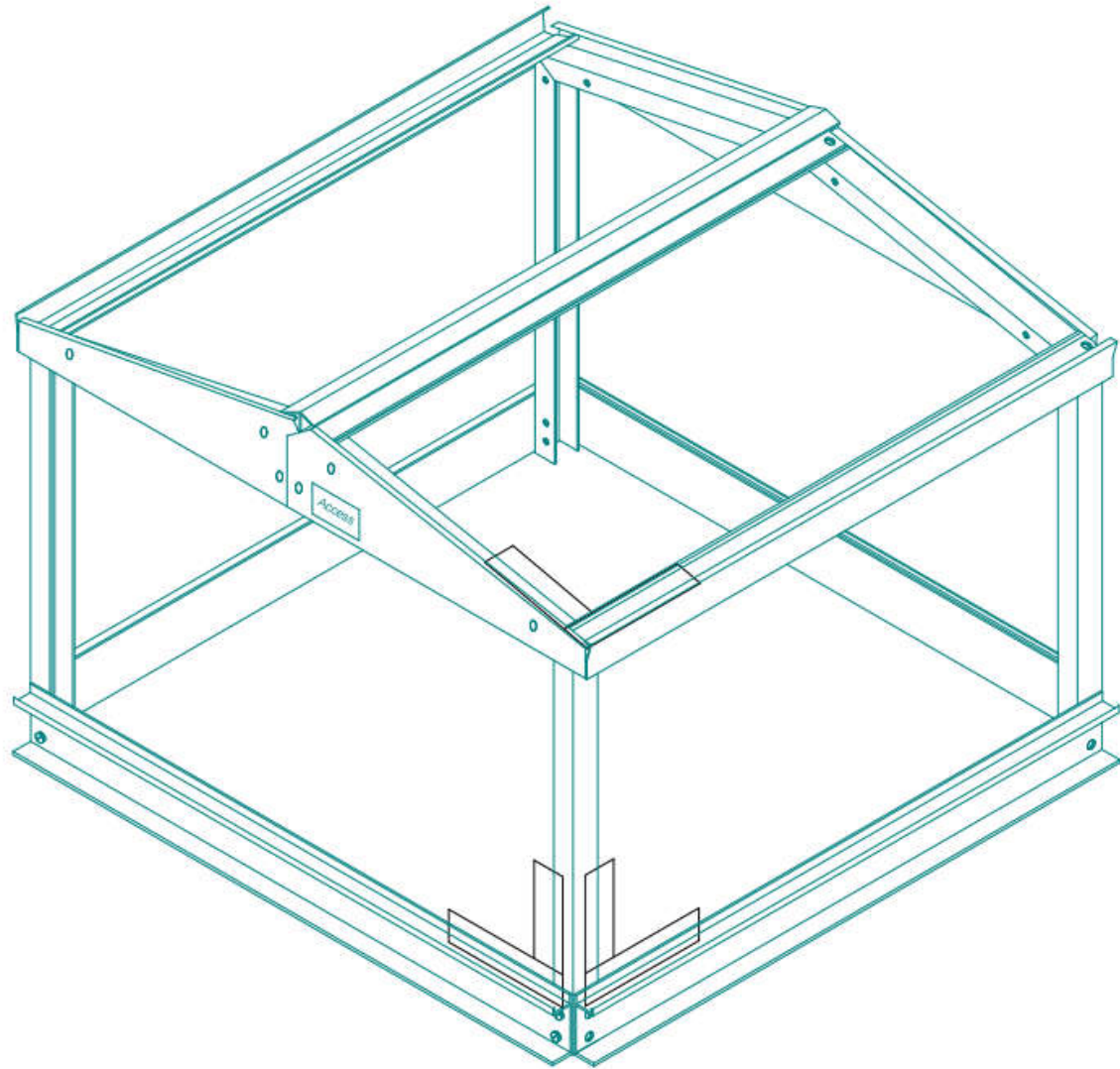
IT IS ESSENTIAL TO GET THE FRAME SQUARE.

2

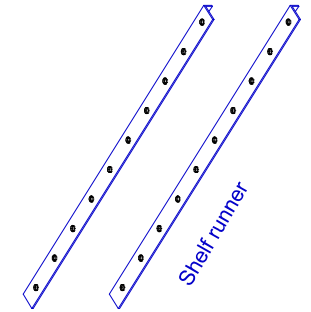
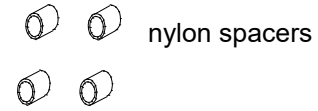
Once the frame is completely square fully tighten up all the nuts and bolts.

FULLY TIGHTEN ALL BOLTS EXCEPT THE END PLATE BOLTS, otherwise the framework will quickly work loose.

PERIODICALLY CHECK THE TIGHTNESS OF THE BOLTS



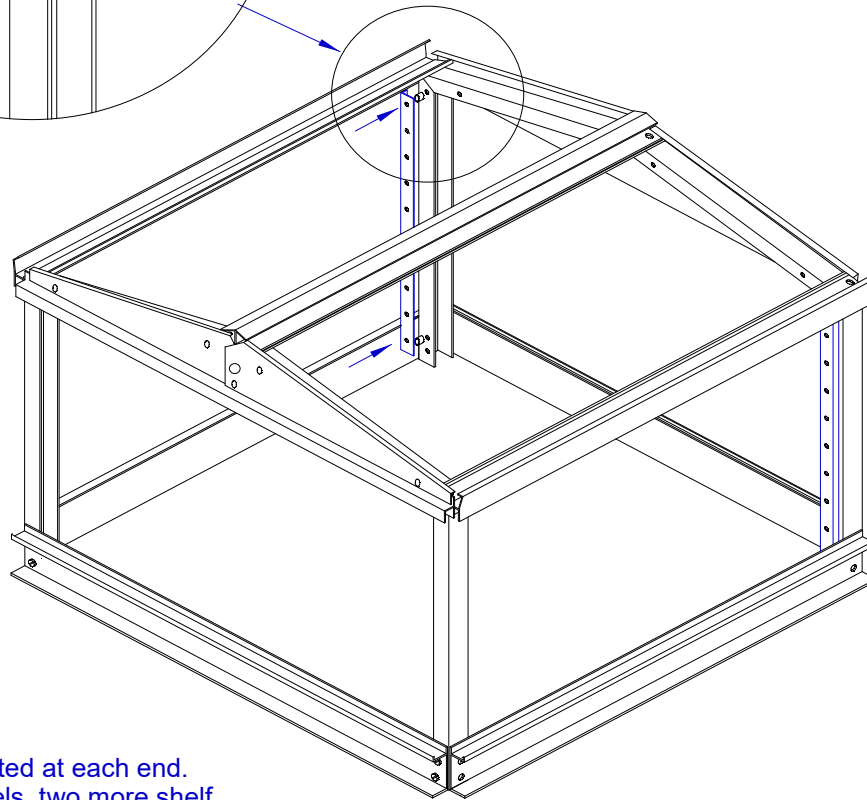
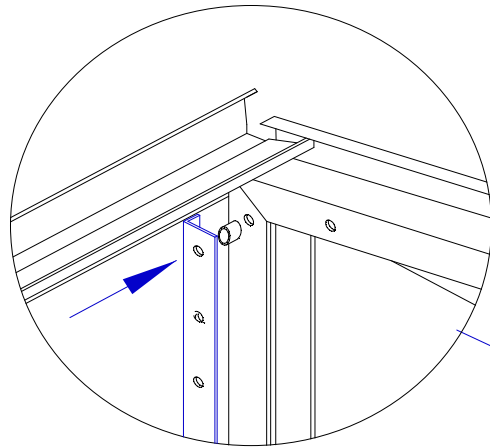
PARTS NEEDED



YOU ALSO NEED:	
20mm BOLTS	4
NUTS	4
Located in pack: SURG	

1 SHELF RUNNERS

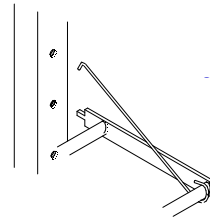
Bolt a shelf runner onto each of the legs using 20mm bolts. The white nylon spacer is fitted between the leg and the runner.



Shelves can be fitted at each end.
On 6' and 8' models, two more shelf sets can be fitted to the centre legs.

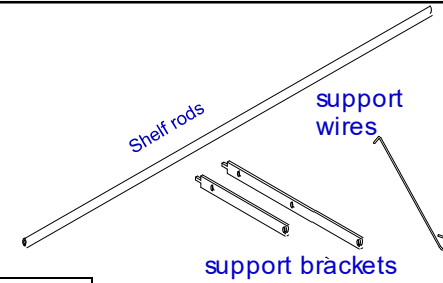
FITTING

- 1 Lightly tap rawlplug inserts into both ends of the tubular aluminium shelf rods with a hammer.
- 2 Slide the two hooks onto the tube, as shown then screw the support bracket on at each end.
- 3 Fit the other rods to the shelf.



Hook support wire into top hole, then swing shelf upward into the adjacent hole below.

PARTS NEEDED

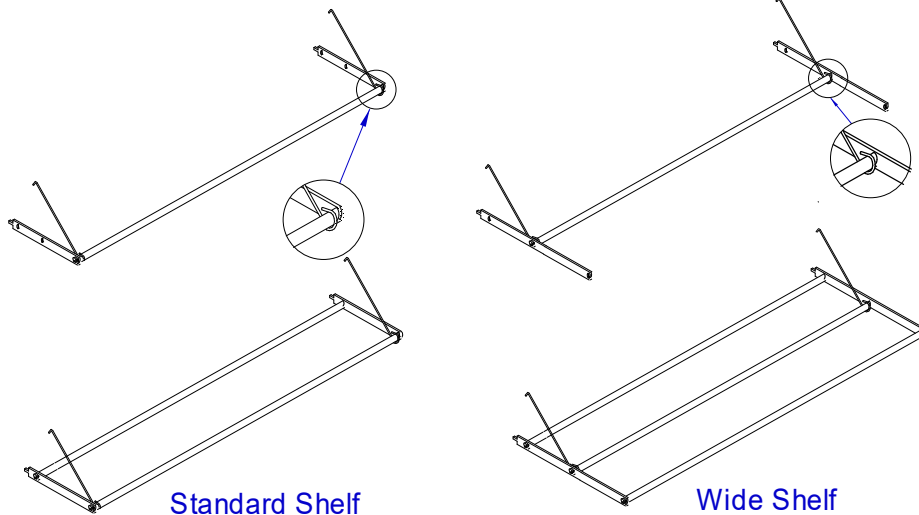
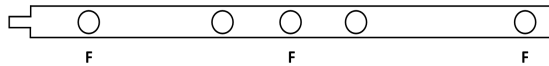


YOU ALSO NEED PER SHELF ROD:

RAWLPLUG	2
1" WOOD SCREW	2
Located in packs: S-V	

NEW 5-hole strap

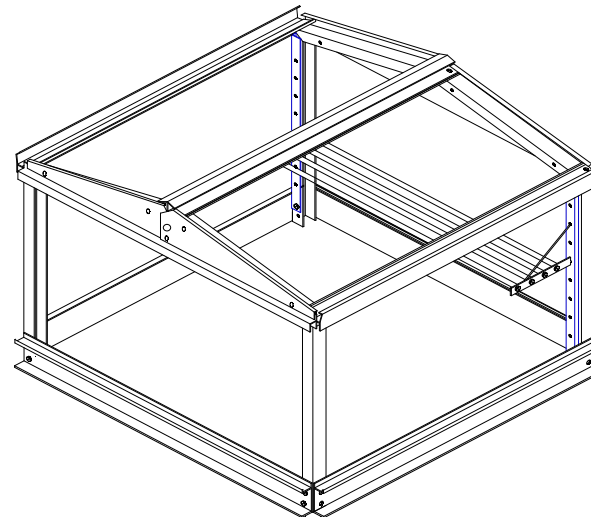
Fit the rods to the holes 'F'



Standard Shelf

Wide Shelf

- 4 Fit the shelves across the end of the frame, on to the shelf runners



The large number of holes on the runner allow the spacing of the shelves to be easily altered.

When the shelves are not needed they can either be removed or they can be unhooked from the lower fixing hole and hung flat using the wires.



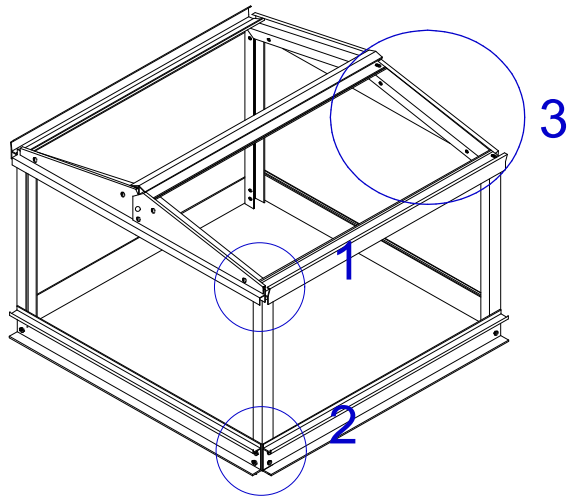
Bottom shelf hung flat against the back

Note: A Pozidrive screwdriver will fit the screws best

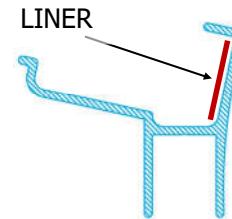
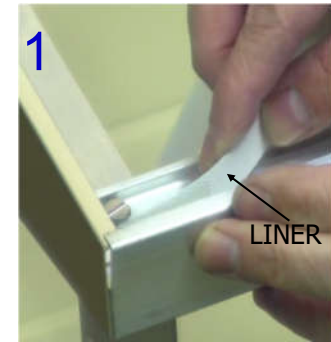
SHELF ASSEMBLY (optional)

FITTING THE CHANNEL LINER

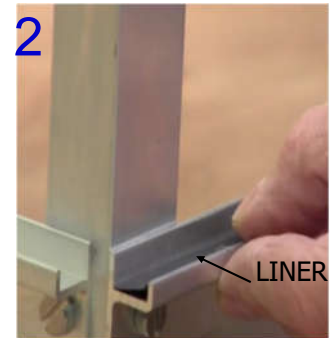
TIP:- Before sticking the tape, clean the aluminium of any oil traces to promote adhesion.



1 The white liner (W66-4M) fits on the inside vertical face of each side rail only. This is a loose fit so strips of double sided tape are included to secure it until the glass is in place.

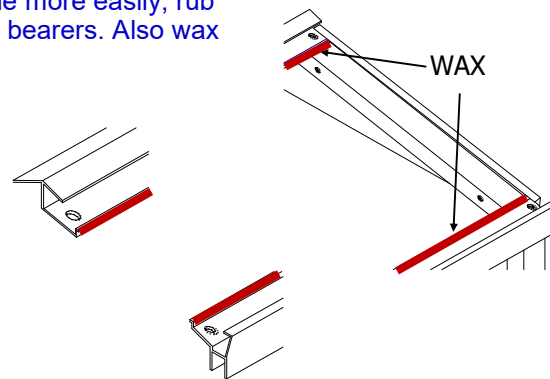


2 The black plastic liner (W65-5M) goes in the side bottom rails (not end rails). Using the strips of double sided tape press liner down so that it **LIES FLAT** at the bottom of the channel - trim with a knife if necessary.



THE DOORS WILL NOT SLIDE PROPERLY IF THE LINER IS NOT FLAT

3 To make the top glass slide more easily, rub candle wax onto the glass bearers. Also wax the black and white liners.



Removing the tape

Peel the **narrower** backing tape off first, this will expose the sticky pad, allowing it to be stuck onto the liner.

Tip: Bend the backing tape back on itself to make it easier to peel the sticky pad off.

Place pads regularly down the length of the liner.

When ready, peel the **wide** backing pads off the tape and stick the liner to the aluminium.



On the next page are instructions on how to fit the handles to the glass

When fitting the handles, place the glass on a table or timber battens.
NEVER PLACE THE GLASS DIRECTLY ON CONCRETE OR SLABS

Always fit the handles to the left hand side of the glass sheet

DO NOT lift the glass by the handle

If possible, leave the handles overnight in a warm place to promote the curing of the adhesive

WARNING

If broken, toughened glass will fragment safely.

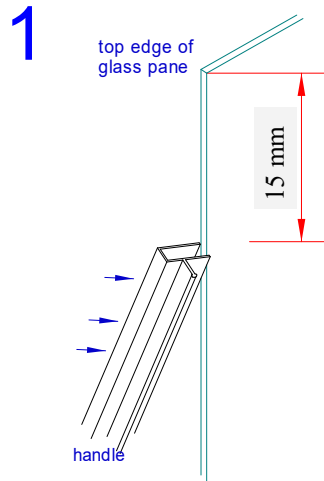
If the edges are knocked or chipped the glass will spontaneously fragment. This is a natural occurrence due to the toughening process. Care should be taken when moving or cleaning, not to damage the edge of the glass.

When placing the glass in the frame, ensure that the glass is securely placed in the runners before letting go of the glass.

	FF3	SF3	EF3
Sheets requiring handles	4	6	8

GLASS	FF3	SF3	EF3
610mm x 610mm	12	16	20

TIP: Always grip the handle in the CENTRE when sliding



First wipe the edge of the glass where the handle will fit with a wet cloth.

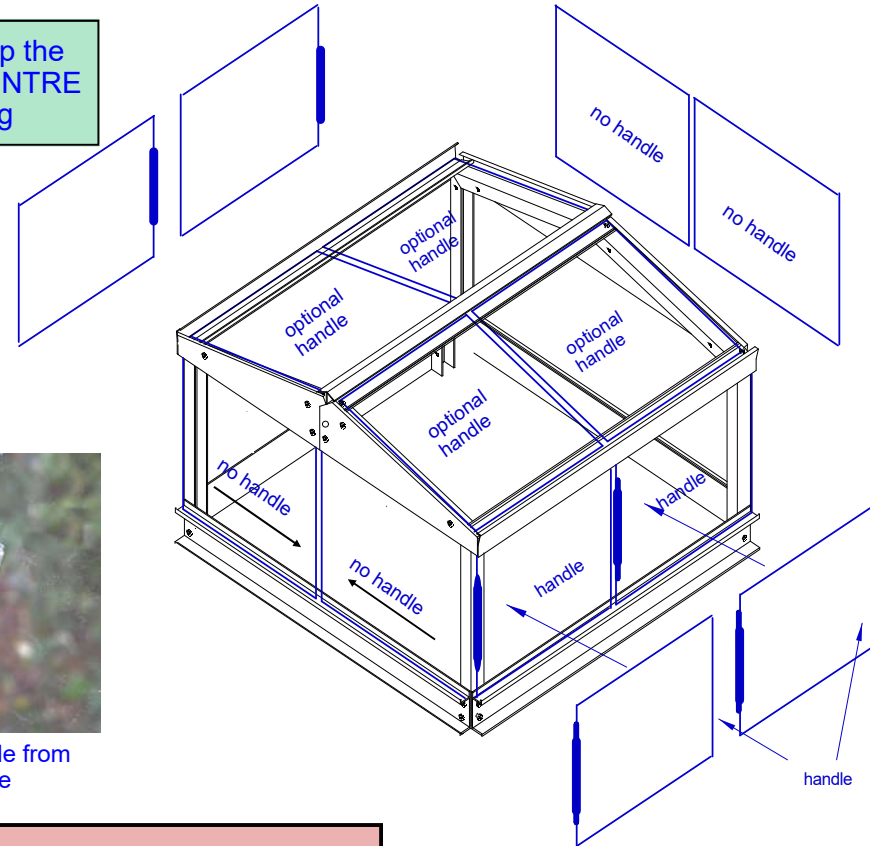
Then slide the handle over the edge of the glass, starting at the top corner of the handle.

Place the handle 15mm from the top edge of the glass.

TIP: Do not try and slide the handle on from the top or bottom



Work on handle from side edge



NOTE: If you purchased a louvre vent, fit it now.



1

Ideally work on a table or a workbench.

It is best the work inside to keep the pads warm and dry.



2

Mark the glass 15mm from the top edge for sheets.



3

Open the sachet and wipe the glass where the tape will stick.



4

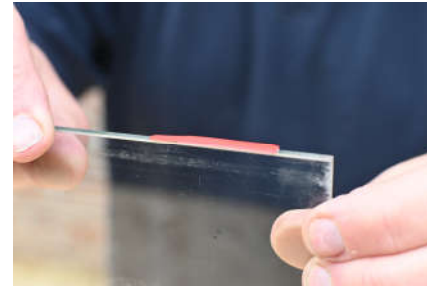
Replace the cloth in the plastic bag to prevent evaporation.



5

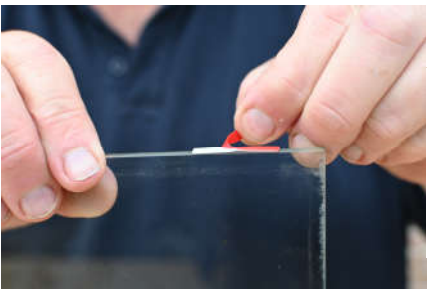
Peel the pad off the backing.

Each handle has 2 pads (top and bottom of handle).



6

Press the pad down firmly to ensure good adhesion to the glass.



7

Peel the cover strips off all of the pads.



8

Using the pen mark as a guide, fit the handle.

Slide the two arms of the 'U' over the edge of the glass.



9

Work the handle on with your hands.



10

Use one of the glass battens to gently tap the handle down.



11

Work the handle on all the way down the glass.

Use the timber batten if necessary.



12

Use the timber to make sure the handle is flat.

Leave overnight in the warm to fully cure the adhesive.

FITTING HANDLES

Fit the handles to the side glass before fitting into the frame. Ensure the handles are always on the left hand side of the glass.

FITTING THE GLASS

To fit the glass push the sheet into the deeper top channel, then lower into the bottom channel (E). Make sure the glass is firmly in the bottom channel before letting go.

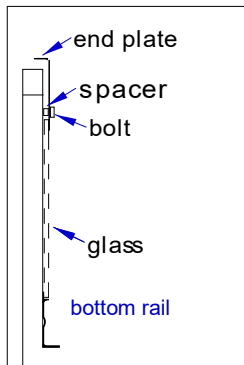
The main illustration shows the glass side by side for clarity. When putting the sheets in the frame, start at the left hand end. The glass panels overlap each other by approx 15mm - 30mm.

To open the frame the glass should slide over the adjacent pane. The channel is only wide enough to take two sheets of glass side by side.

Roof sheets will slide if additional ventilation is required, however access into the frame is via side glass sheets. Roof sheets have no handles (optional handles are available).

END SHEETS

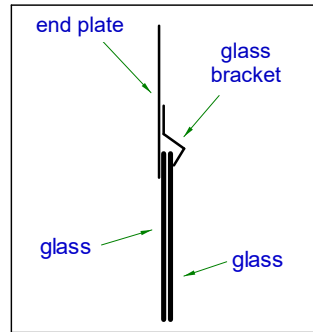
Slacken the four lower end plate bolts then gently slide the glass into place from the corner. The glass is held between the framework and the end plate (A) and photo (B) Then gently slide the other sheet in from the other corner. The two sheets will overlap behind the end bracket (C). The bolts on the end plates can then be gently tightened.



A. End glass detail



B Cold frame end glass fitting



C. End glass overlap detail



C. Glass bracket



E. Fitting the glass

GLASS STICKS TOGETHER	<p>This is normally due to the handles not being put on the correct side of the glass. See page 10 for details of where the handles should be fitted to the glass.</p> <p>The top glass will not slide when wet, unless optional full length glass handles are fitted.</p>
HANDLES COME OFF	<p>If handles come off frequently either purchase some new handles and sticky pads from Access or use a glue such as 'liquid nails' or 'no more nails' to permanently glue the handles to the glass.</p>

PERIODIC MAINTENANCE Every Spring take the glass out of the greenhouse and wash glass and framework with warm soapy water. When inserting the glass, always check that the glass is properly seated in its top and bottom channels before letting go of the sheet.

CHECK THE TIGHTNESS of all bolts regularly, especially in very windy areas or powder coated frames.

CROP ROTATION Suggestions for suitable crops and sowing dates given in the free Access Growing Guide

VENTILATION In cold weather gentle ventilation can be given by sliding the front sheets of glass to give 2-3" (5-8cm) gap at each corner. In warmer weather allow a gap on the top sheets as well. In very hot weather open all the sheets of glass. To ensure that the correct temperature is maintained use a thermometer inside the greenhouse. You can completely remove the top sheets in summer.

GALES The greenhouse must be kept fully closed in rough weather.

GLASS CHANNELS Ensure that this is kept free from debris and allows the glass to slide smoothly. Periodically lubricate the running edge of the glass with a wax candle.

SNOW If snow is very heavy - avoid letting it build up on the roof

OPTIONAL SHELVING Stand pot plants on saucers, or use optional shelf covers which incorporate a layer of capillary matting to absorb excess water when watering. Alternatively, stand the pots in empty seed trays.

SITING Site on the sunniest place available. Anything from East through South to West is suitable. If it has to face North, don't despair, it will be warmer in than outside!

REDUCING THE LENGTH If it is just too long for your ideal spot, it can be shortened. Re-drill the holes at one end of the rails - moving them in by the amount you need to remove. Hacksaw off the surplus aluminium and shorten the shelf rods. The glass will merely overlap more - don't try to cut toughened glass!